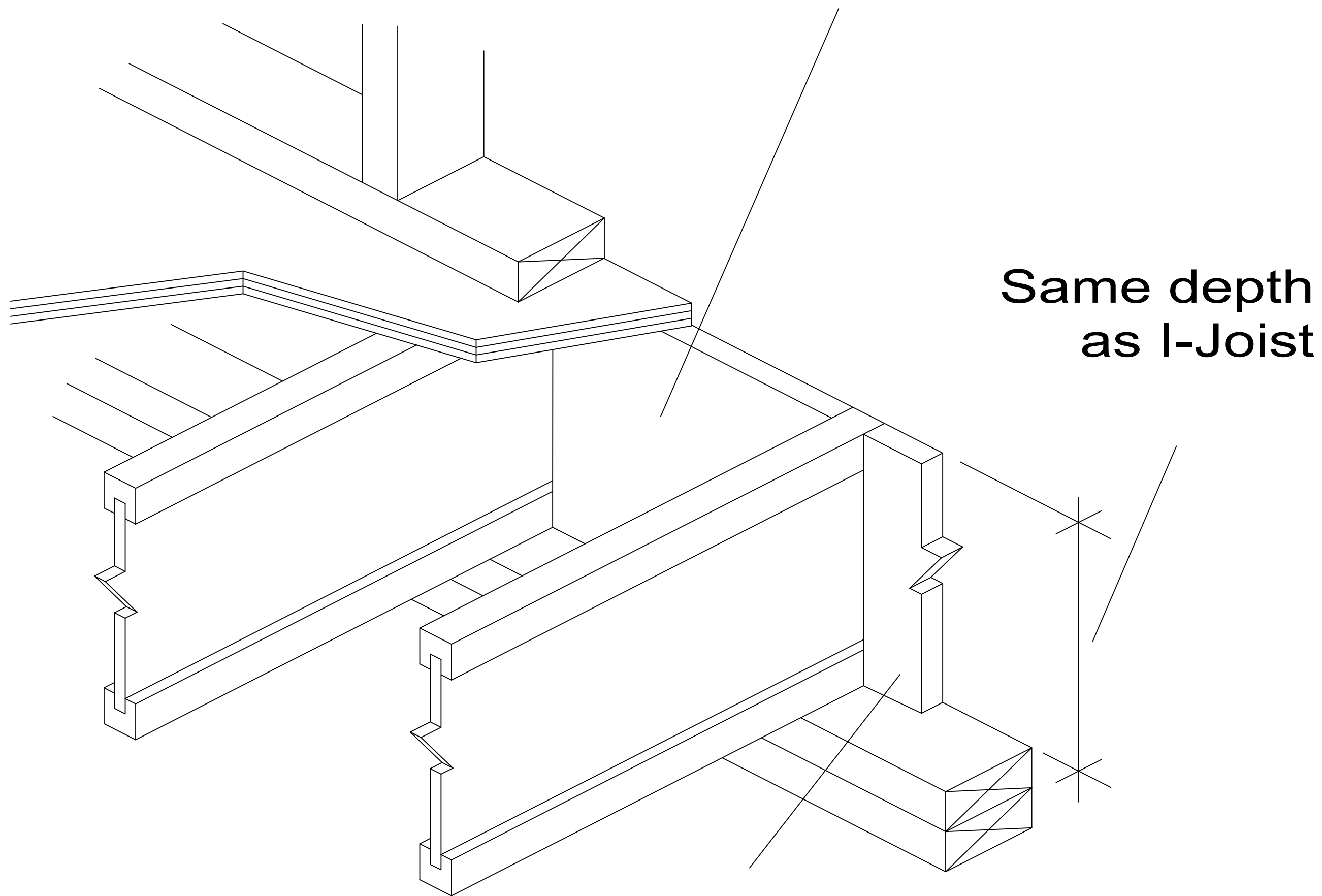


A4

SOLID BLOCKING AT EXTERIOR WALL

**LP LVL, LP LSL or
LP Rim Board as blocking**



**8d nails at 6" o.c. toe-nailed
from outside of building.**