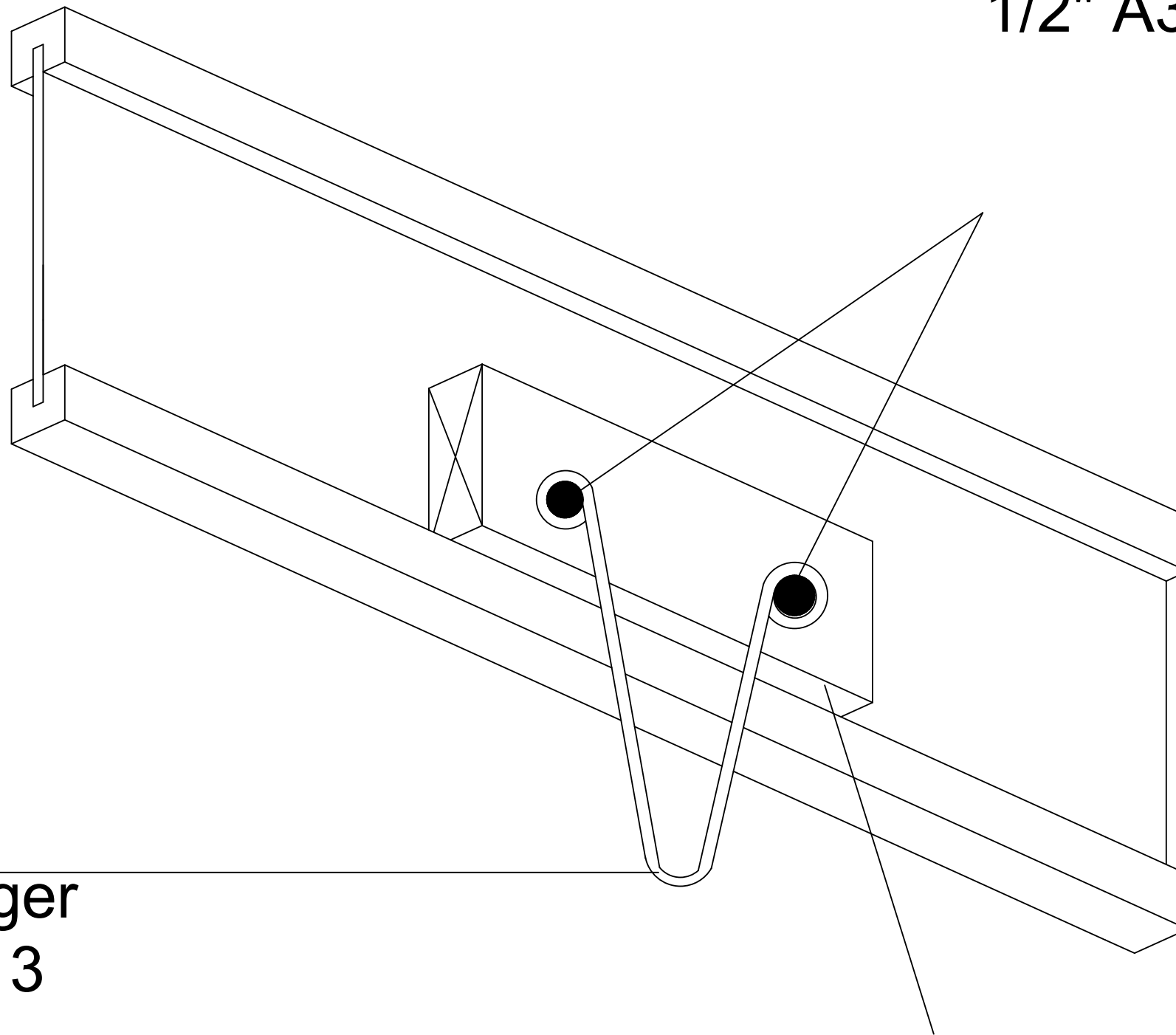


S4 SPRINKLER SUPPORT

Assembly Capacity 240 lbs.

2x6 block requires two
1/2" A307 bolts bolted
through web



U-type hanger
per NFPA 13

1/8" minimal gap
between block and
flange

Verify hanger capacity with manufacturer.