

S1

# TWO SCREW CEILING FLANGE

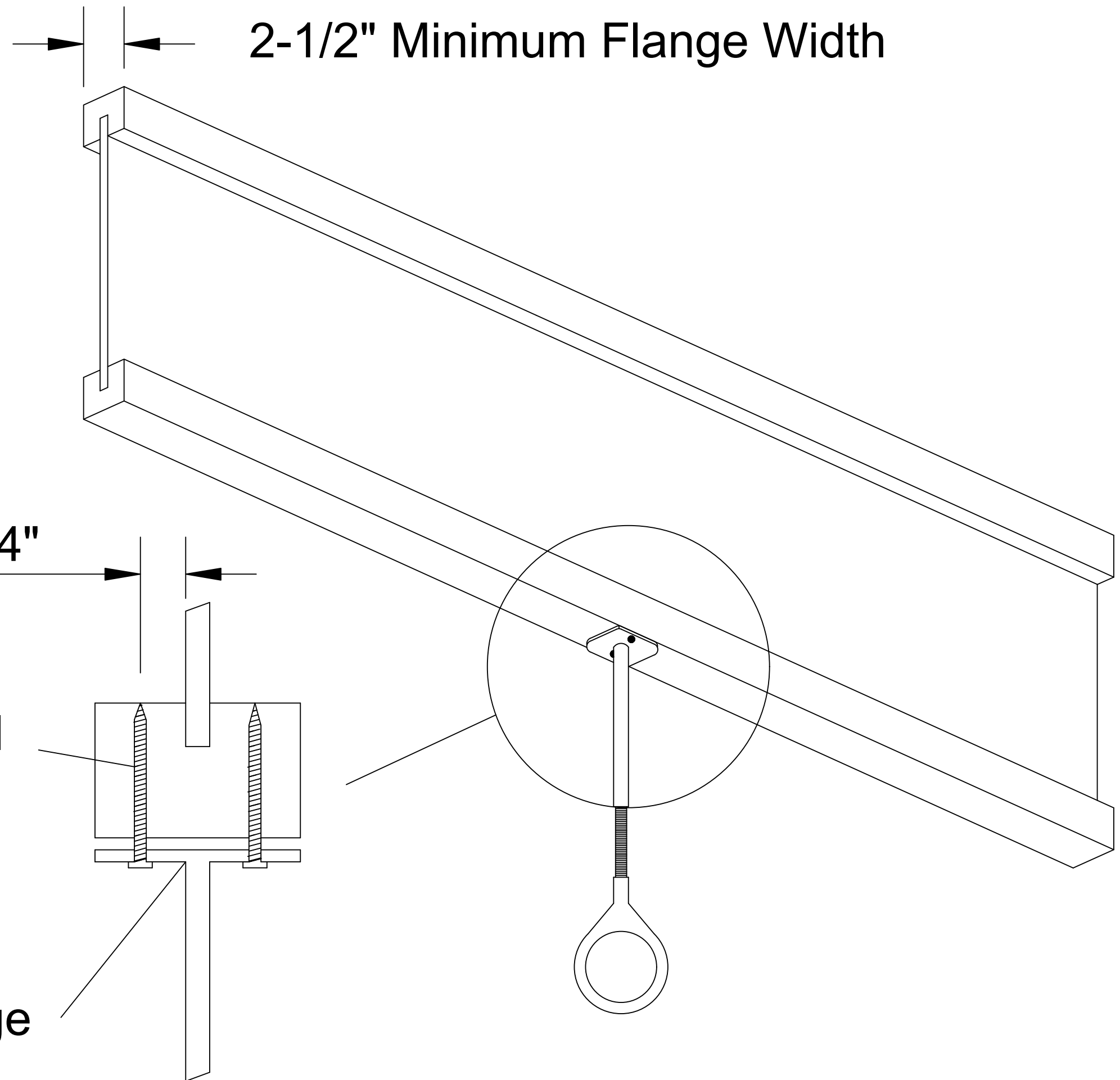
Assembly Capacity 200 lbs.

2-1/2" Minimum Flange Width

1/4"

#18 screw predrill  
3/16" pilot hole

Ceiling flange



Verify hanger capacity with manufacture