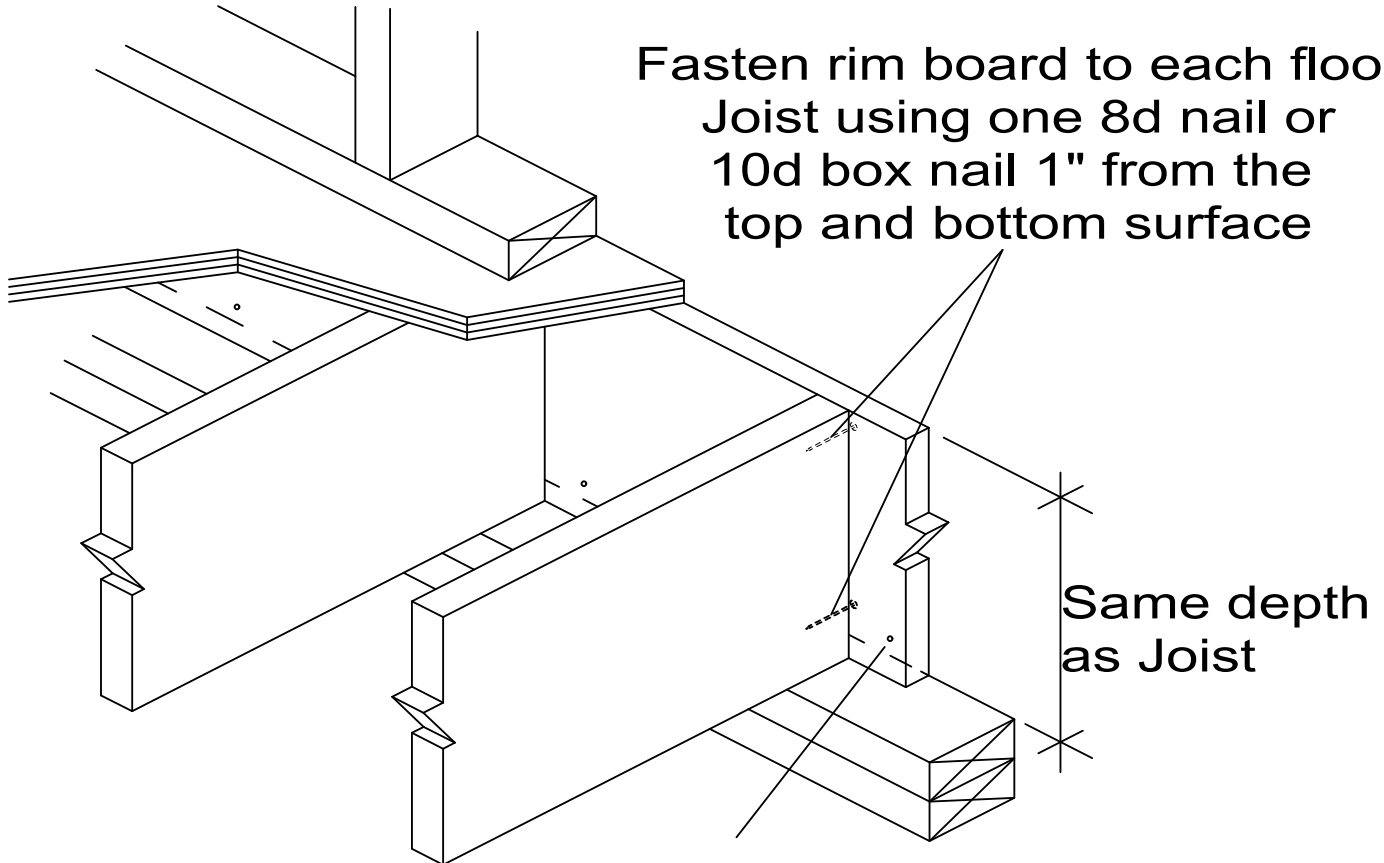


A11

RIM BOARD

Fasten rim board to each floor Joist using one 8d nail or 10d box nail 1" from the top and bottom surface



8d nails at 6" o.c.
toe-nailed from outside of building.