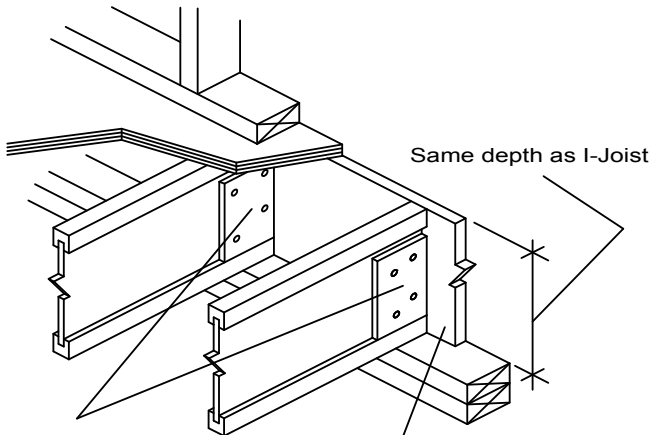


A1w

## RIM BOARD w/ Web Stiffeners

Fasten rim board to each floor I-Joist using one 8d box nail or 10d box nail per flange



Same depth as I-Joist

Web Stiffeners

8d nails at 6" oc  
toe-nailed from outside of building