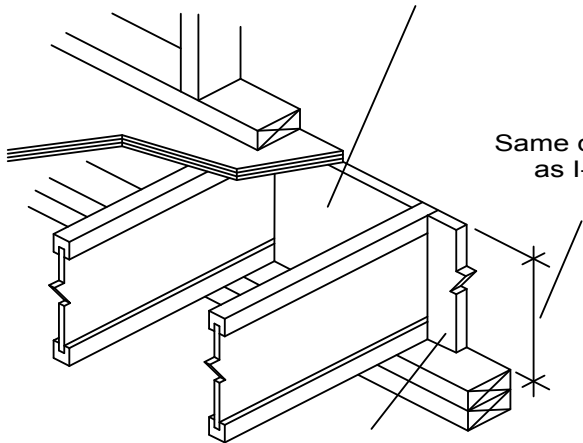


A4

# SOLID BLOCKING AT EXTERIOR WALL

LP LVL, LP LSL or  
LP Rim Board as blocking

Same depth  
as I-Joist



8d nails at 6" o.c. toe-nailed  
from outside of building.