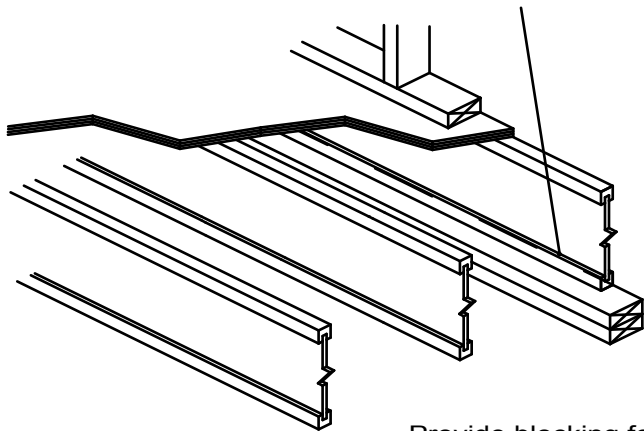


A6

I-JOIST AS STARTER JOIST

8d nail at 6" o.c.

(when used for shear transfer
nail to bearing plate with same
nailing schedule as decking)



Provide blocking for
lateral support as required. Use LP I-Joist,
LP LVL, LP LSL, or LP Rim Board as blocking