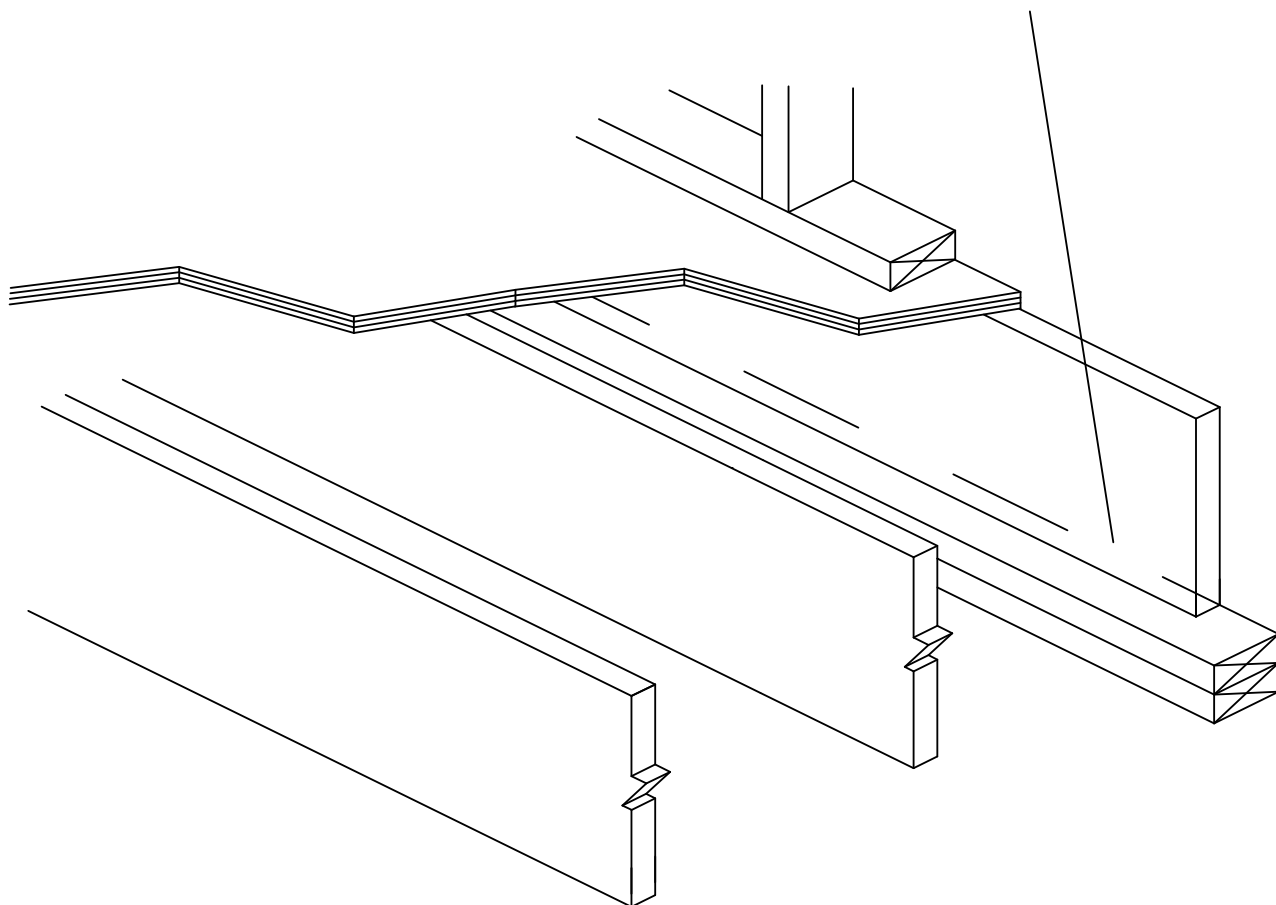


A7v

## SOLID RIM AS STARTER JOIST

8d nails at 6"o.c.  
toe-nailed from outside of building.



Provide blocking for lateral support as required.  
LP LSL, LP LVL or LP Rim Board  
may be used as Starter Joist