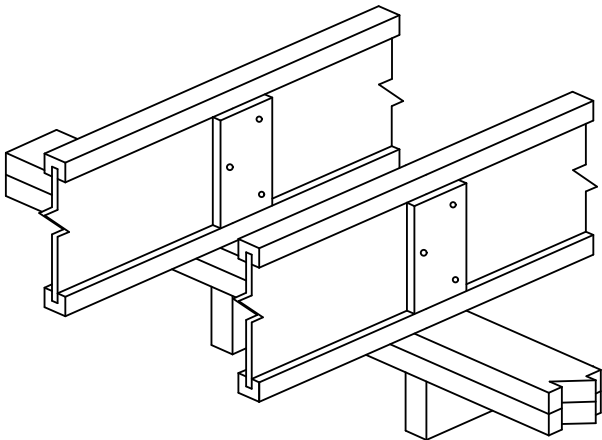


B1

WEB STIFFENERS AT INTERIOR SUPPORT (When Required)



Verify stiffener requirements