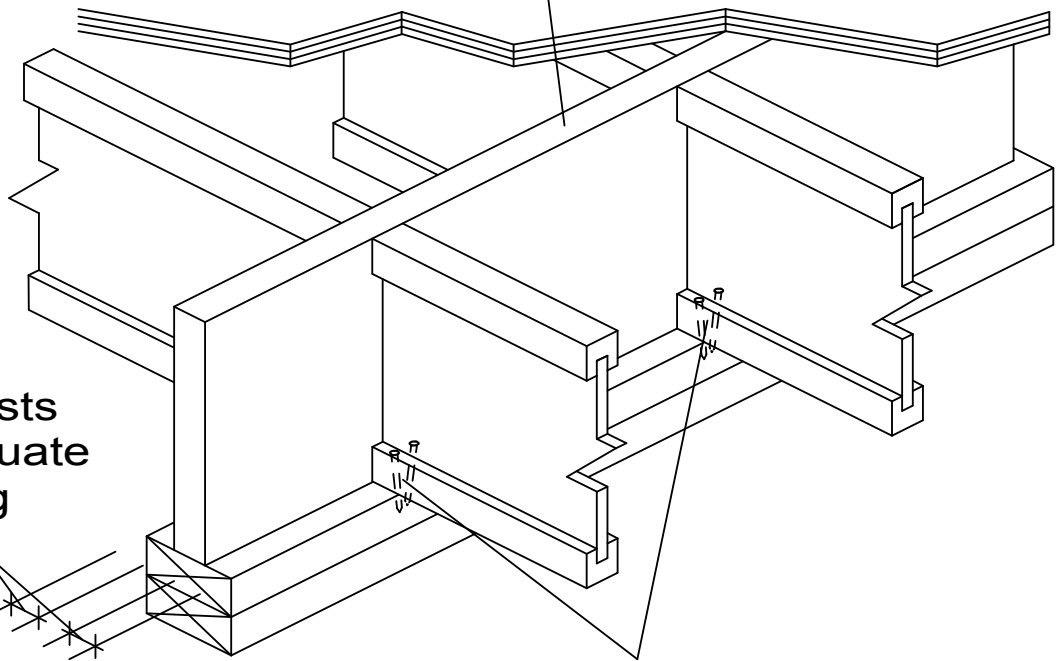
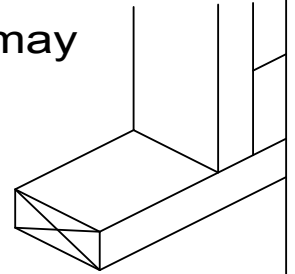


B3i I-JOIST END OVER INTERIOR SUPPORT with Continuous Rim

LP LSL, LP LVL or LP Rim may
be used.

Fasten rim board to each floor
I-Joist using one 8d nail or
10d box nail per flange



Verify Joists
have Adequate
Bearing

8d nail at 6" o.c.
(when used for shear transfer
nail to bearing plate with same
nailing schedule as decking)

Place nail 1-1/2" min. from end of
I-Joist. If nails are close to edge
of plate, drive at an angle to
reduce splitting.