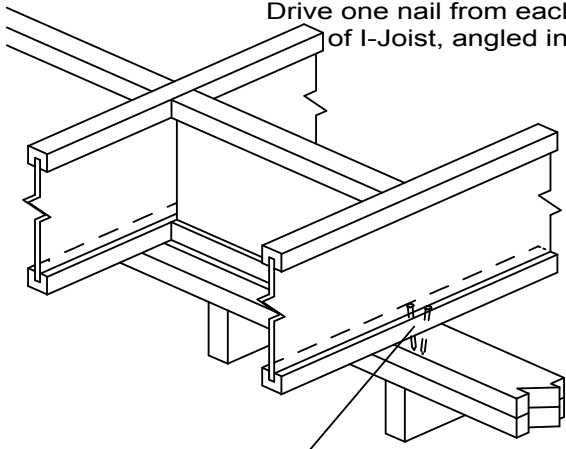


B4a

Joist Nailing at Interior Support w/ Blocking

Secure I-Joist to plate with
two 8d or 10d box nails.
Drive one nail from each side
of I-Joist, angled inward.



Place nail 1-1/2" min. from end of I-Joist.
If nails are close to edge of plate, drive
at an angle to reduce splitting.