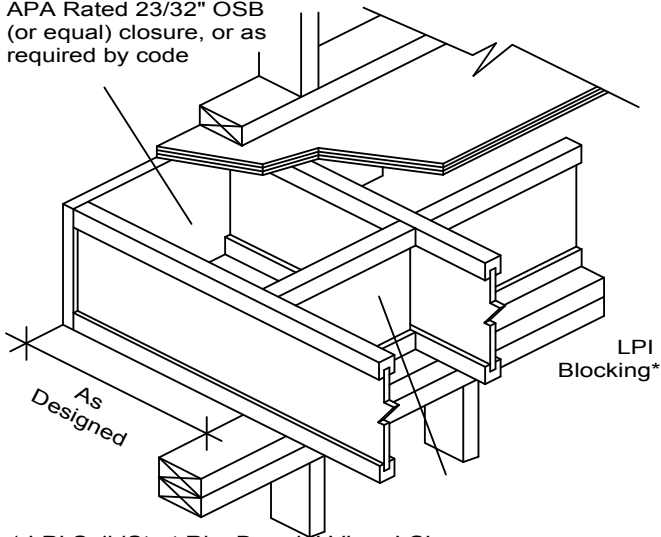


C1

## CANTILEVER DETAIL

No reinforcement required

APA Rated 23/32" OSB  
(or equal) closure, or as  
required by code



\* LPI SolidStart Rim Board, LVL or LSL  
may be substituted for the LP Blocking