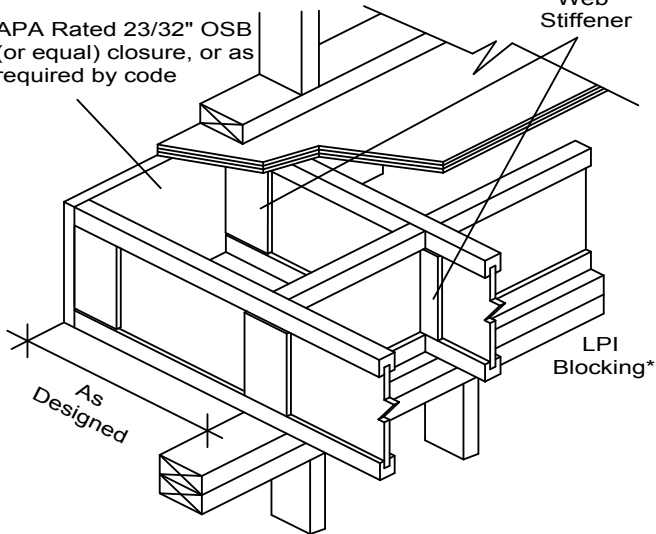


C1w

CANTILEVER DETAIL (Web Stiffener Required)

APA Rated 23/32" OSB
(or equal) closure, or as
required by code

Web
Stiffener



LPI
Blocking*

* LPI SolidStart Rim Board, LVL or LSL
may be substituted for the LP Blocking