

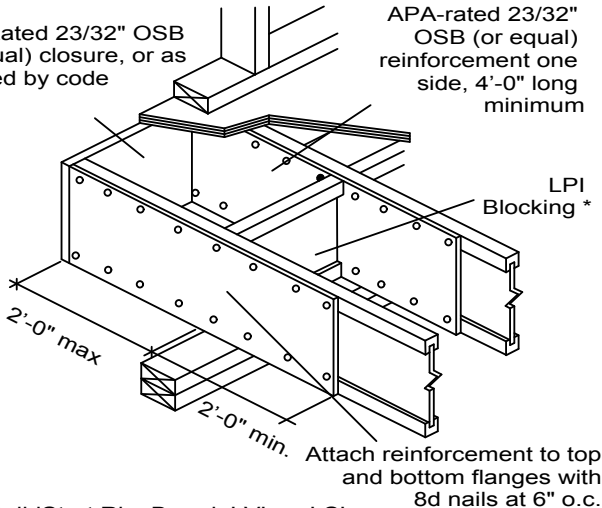
C2

CANTILEVER DETAIL

23/32" OSB (or equal)
Reinforcement One Side Only

APA Rated 23/32" OSB
(or equal) closure, or as
required by code

APA-rated 23/32"
OSB (or equal)
reinforcement one
side, 4'-0" long
minimum



* LPI SolidStart Rim Board, LVL or LSL
may be substituted for the LP Blocking