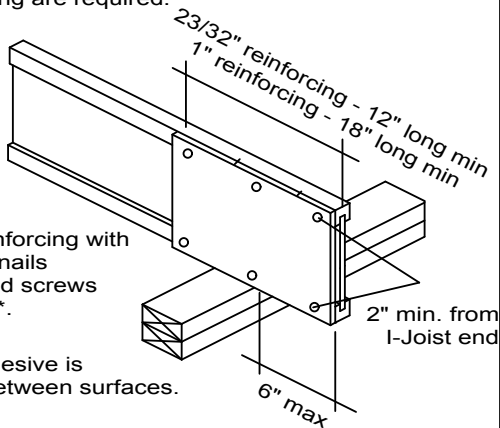


C8

BRICK LEDGE CANTILEVER Full Depth Reinforcing

For 14" and 16" I-joists, web filler (both sides) and OSB or plywood reinforcing are required.



Nail or screw reinforcing with (3)-6d or 8d box nails or #6x1-1/2" wood screws into both flanges*.

Construction adhesive is recommended between surfaces.

Blocking panels are required at the bearing but are not shown for clarity.

Reinforcing shall be same depth as I-joist

Note: Pilot holes required when using screws.