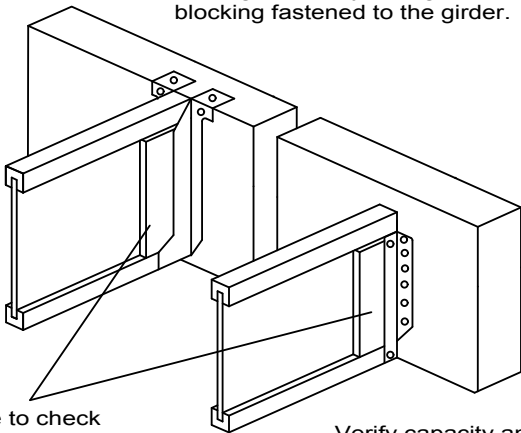


HANGER DETAIL

Applied loads at end of I-joint must be supported directly by the girder, or by a ledger or blocking fastened to the girder.



Be sure to check web filler requirements for hangers

Verify capacity and fastening requirements of hangers and connectors