

E5

DOUBLE I-JOIST CONNECTION

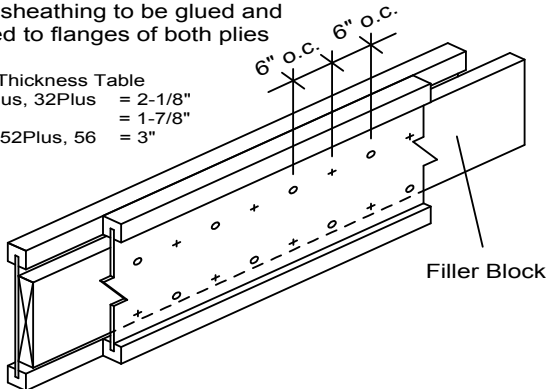
Floor sheathing to be glued and nailed to flanges of both plies

Filler Block Thickness Table

LPI 18, 20Plus, 32Plus = 2-1/8"

LPI 36 = 1-7/8"

LPI 42Plus, 52Plus, 56 = 3"



Filler Blocks: Install in minimum 4' long sections at each support, centered centered behind each supported hanger and at no more than 8' oc. Lumber fillers may be stacked to achieve the required depth (see notes 2 & 3). For example, two 4' long 2 x 8's may be stacked vertically to achieve the filler depth for an 18" deep I-joist (min. required depth is $18" - 3" - 1" = 14"$). Attach filler blocks with 8d nails (10d for flanges wider than 2-1/2") nails spaced 6" oc per row. Use one row of nails in each row of stacked fillers, with a minimum of two rows of nails. Drive every other nail from opposite sides.