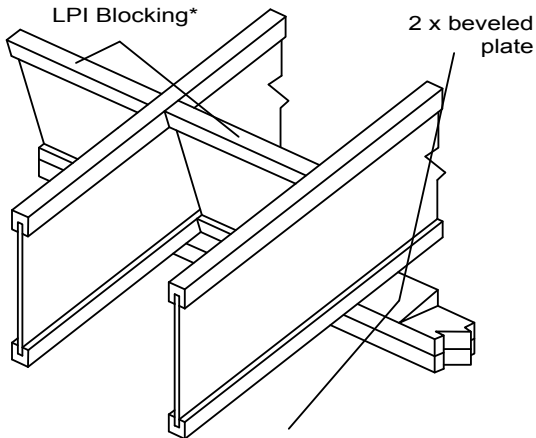


H2

BEVELED PLATE



Simpson® VPA, USP® TMP, (or equal)
connector may be substituted for beveled plate.

* Lateral resistance shall be provided. Other methods of restraint, such as full depth LP SolidStart OSB Rim Board, LP SolidStart LVL, LP SolidStart LSL or metal X-bracing may be substituted for the LPI blocking shown.