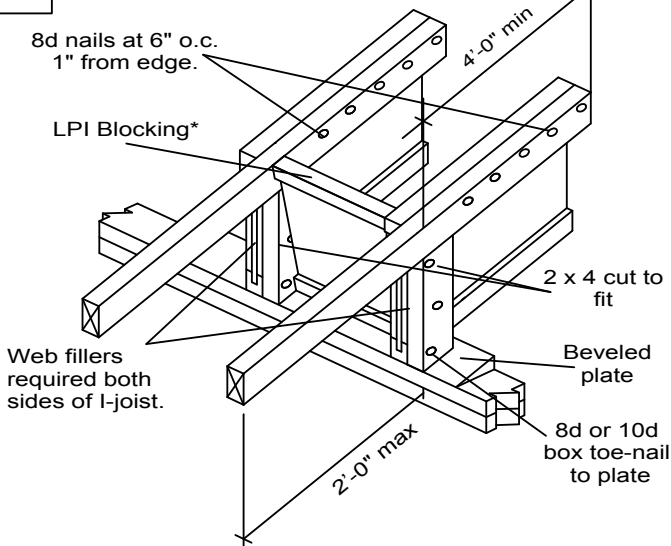


H5

OVERHANG



* Lateral resistance shall be provided. Other methods of restraint, such as full depth LP SolidStart OSB Rim Board, LP SolidStart LVL, LP SolidStart LSL or metal X-bracing may be substituted for the LPI blocking shown.