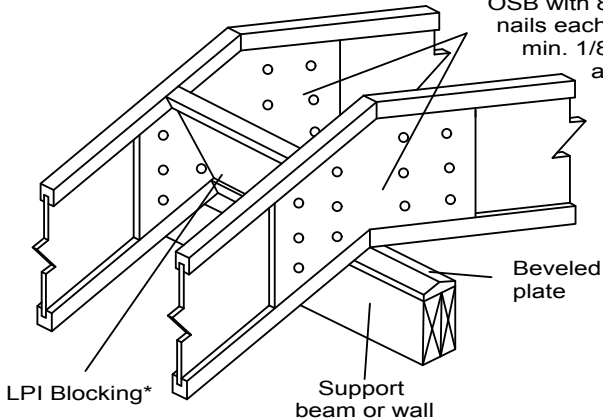


J2

RAFTER CONNECTION with FITTED OSB GUSSET

23/32" x 2'-0"
OSB with 8-16d
nails each side
min. 1/8" gap
at top.



* Lateral resistance shall be provided. Other methods of restraint, such as full depth LP SolidStart OSB Rim Board, LP SolidStart LVL, LP SolidStart LSL or metal X-bracing may be substituted for the LPI blocking shown.