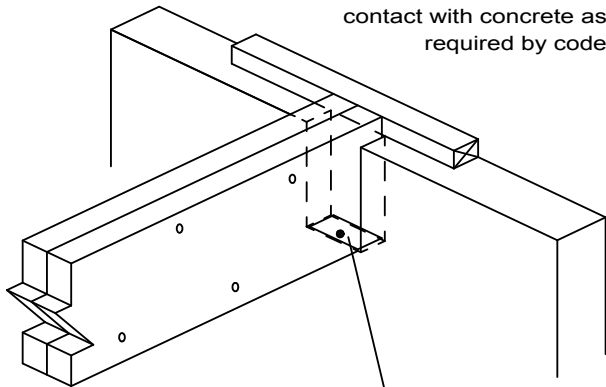


P7

CONCRETE WALL

NOTE: Protect wood from
contact with concrete as
required by code



Simpson® GLB,
USP® LBS
or equal seat