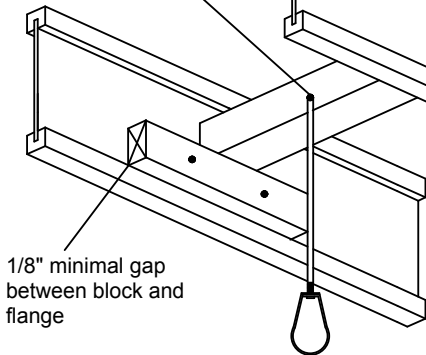


S2 SPRINKLER SUPPORT

Assembly Capacity 475 lbs.

4x6 cross member
requires two 16d
(3-1/2") nails per end

Fastener



1/8" minimal gap
between block and
flange

2x6 block requires two
1/2" A307 bolts bolted
through web

Verify hanger capacity with manufacturer.