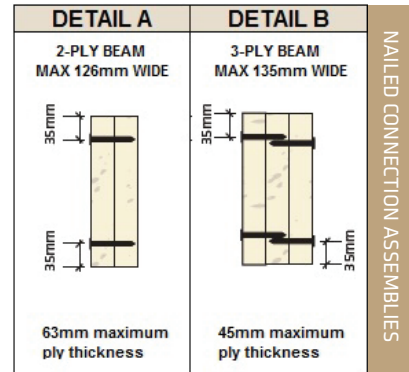
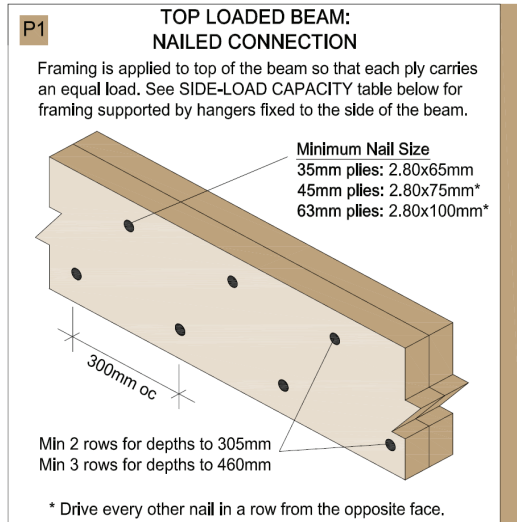


LP® SolidStart™ LVL: Nail Laminated Multiple-Ply Beams

This Tech Note must be used in conjunction with the LP®SolidStart™ Engineered Wood Products "Technical Guide for Residential Floors and Roofs".

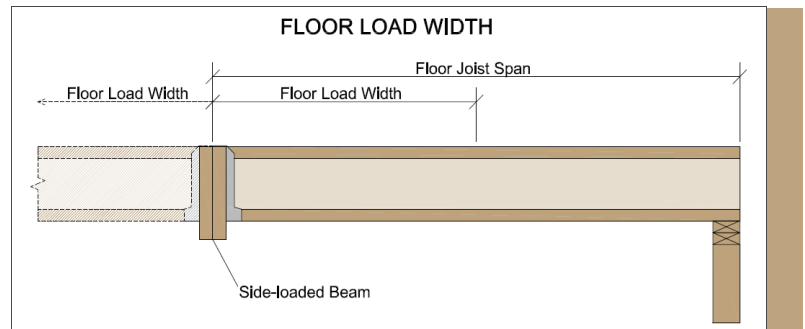


SIDE LOAD CAPACITY FOR NAIL-LAMINATED BEAMS ^{1, 7, 8}

Beam Size	Nail Size ^{4, 6} (mm)	Maximum Floor Load Width ^{2, 3} (m)					
		2 rows nails at 300mm centres	3 rows nails at 300mm centres	2 rows nails at 200mm centres	3 rows nails at 200mm centres	2 rows nails at 100mm centres	3 rows nails at 100mm centres
2x 35mm	2.80 x 65/75	0.95	1.43	1.43	2.14	2.86	4.29
	3.15 x 65	1.01	1.52	1.52	2.28	3.05	4.57
	3.15 x 75	1.16	1.74	1.74	2.61	3.48	5.22
2x 45mm	2.80 x 75 ⁵ /100	0.95	1.43	1.43	2.14	2.86	4.29
	3.15 x 75 ⁵	1.01	1.52	1.52	2.28	3.05	4.57
	3.15 x 100	1.16	1.74	1.74	2.61	3.48	5.22
2x 63mm	2.80 x 100 ⁵	0.95	1.43	1.43	2.14	2.86	4.29
	3.15 x 100 ⁵	1.16	1.74	1.74	2.61	3.48	5.22

NOTES:

- The Maximum Floor Load Width is 1/2 of the joist span supported by hangers fixed to the side of the beam, from both sides if applicable (see below).
- The floor load is evaluated for a 100kg/m² floor dead load. For a 40kg/m² dead load, multiply the tabulated Maximum Floor Load Width by 1.26.
- These loads are applicable only for uniform standard domestic floors, and without special load supports such as concentrated loads.
- Nails must penetrate the second member ply by at least 50%. Crimp nails where protruding.
- For 2-ply beams when nails do not penetrate the second ply by at least 80%, drive every other nail in a row from the opposite face.
- Nail edge distance shall not be less than 35mm.
- Multiple rows of nails shall be offset at least 15mm and staggered from the adjacent rows.
- All members shall be restrained within the floor space to ensure no rotation of the beam due to the side loading.



Created: May 23, 2012
 Valid until: May 23, 2013

CONTACT US: +61 (0) 420 597 366 or e-mail IntlSales@LPCorp.com. Visit our web site at LPCorp.com/AU