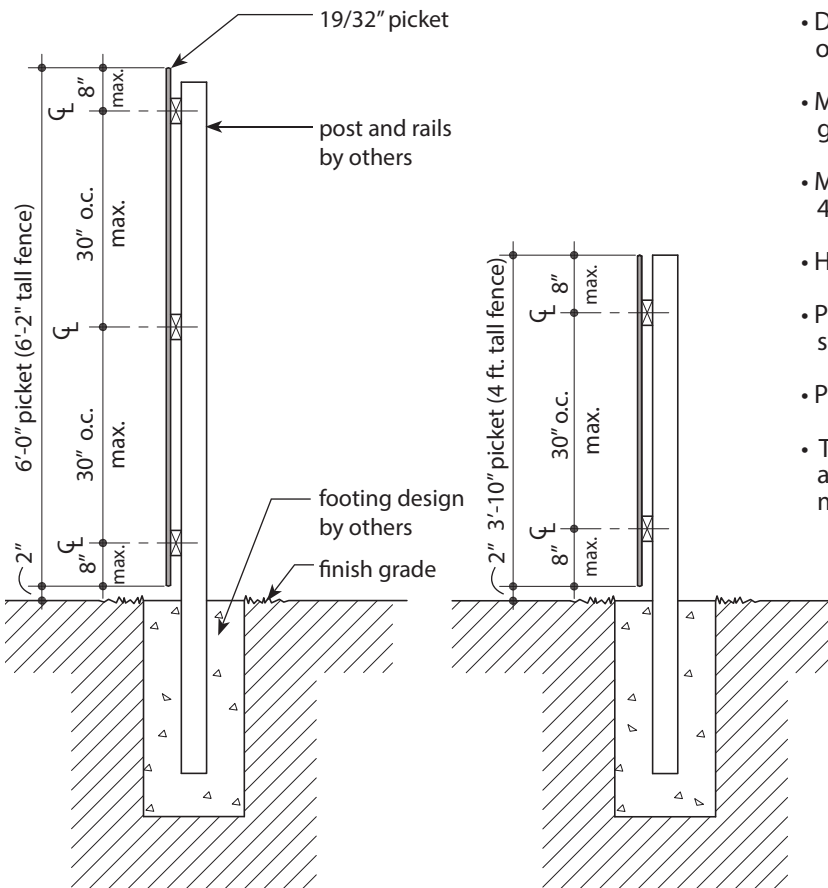


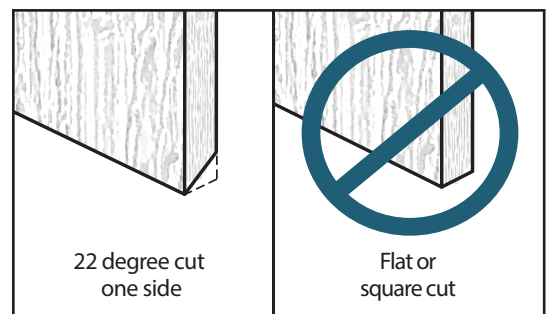
GENERAL INFORMATION

- Before you begin, check with the local Building Department, Zoning ordinances, Historic District regulations and Homeowners Association requirements as they may regulate the location, style and height of your fence.
- Call before you dig. Contact your local utility companies to mark any underground cables and pipelines.
- Fence permits may be required by local Building and/or Zoning Departments, Historic Districts or Homeowners Associations.
- Pickets are intended to be fastened to fence frame (post and rails) and are strictly limited to vertical installations. Reference fence frame installation instructions, local codes, and/or recommendations from the American Fence Association.
- Store pickets off the ground on a flat well-supported, well-drained surface, covered and dry.
- Inspect for damage prior to installation.
- Fence pickets that are field cut must be sealed to prevent moisture intrusion. Carefully apply two or more layers of manufacturer provided touch-up paint until the exposed wood is completely covered.
- For the cleanest cut and longer blade life, a fine-tooth carbide tipped blade is recommended.
- Picket tops, dog ear shall not be cut. Top of picket has additional paint that protects the product from the elements.
- Pickets shall not be in direct contact with brick, stone, or stucco siding; provide a 3/8 inch vertical space between picket and siding.
- Pickets shall be kept free from constant or excessive sources of moisture such as: sprinklers, storage materials placed up against fence, or landscape materials planted too close to pickets restricting natural light between them.

INSTALLATION



- Minimum 2 inch clearance must be maintained between bottom of picket and finish grade, mulch, patios, decks, or walking surfaces.
- Do not allow mulch to be in contact with bottom of pickets.
- Minimum of 3 horizontal rails are required for pickets greater than 4 ft. in height. (see diagram 1a)
- Minimum of 2 horizontal rails are required for pickets 4 ft. or less in height. (see diagram 1b)
- Horizontal rails shall be a maximum of 30 inches o.c.
- Pickets shall not extend above or below horizontal supports more than 8 inches.
- Picket size: 6 inches x 72 inches x 0.530 inch (actual).
- To reduce picket length only cut picket at bottom and apply adequate layers of touch-up paint provided by manufacturer. (see diagram 1c)



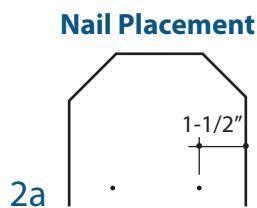
1a

1b

1c

INSTALLATION (CONTINUED)

- Minimum fastener size to nominal 2 x 4 horizontal rail use 0.092 inch diameter x 1-7/8 inch long, hot-dipped galvanized ring shank nail or equal (ASTM A153).
- Do not use staples to fasten pickets to fence frame.
- Corrosion resistance fastener must be warranted and capable of preventing rust, stain and deterioration under normal outdoor environmental conditions for a period of no less than 10 years. For further information or guidance, consult your nail supplier/manufacturer.
- Fence post shall be spaced a maximum of 8 ft o.c. unless local building code requirements are more restrictive.
- For corrections on overdriven fasteners refer to diagram 2b.
- Place fastener a maximum of 1-1/2 inches from edge of picket on each side, for a total of two fasteners per picket at each horizontal rail. (see diagram 2a)



Shank Diameter ≥ 0.092 "			
CONDITION		CORRECTION	
Snug		OK	
Flush		OK	
Visible Fiber		Paint	
Countersunk 1/16" - 1/8"		Apply Sealant	
Countersunk more than 1/8"		Apply Sealant and re-nail	

2b

CARE AND MAINTENANCE INSTRUCTIONS

- Apply touch-up paint to all exposed surfaces if the picket is cut, nicked or damaged using touch-up paint provided by manufacturer.
- To clean remove all dust and mildew from the surface by washing fence pickets with a brush and a solution of mild detergent (such as dish soap) and water. Start at the top, work your way down, and rinse from top to bottom with water. Do not use a pressure washer.
- Do not use yard maintenance equipment such as, but not limited to, edge trimmers, weed trimmers, or lawn mowers against surface of fence pickets.



NO TRIMMING

LIMITED WARRANTY

The Louisiana-Pacific Corporation ("LP") LP Elements™ (the "Products") limited warranty (the "Warranty") applies only to structures on which the Products have been installed, finished and maintained in accordance with the published installation, care and maintenance instructions in effect at the time of application.

LP assumes no liability for any loss or damage caused by the Affected Products and is expressly released by the purchaser or owner from any such loss or liability.

For a copy of the Warranty or installation and technical support, visit the LP website at: www.LPCorp.com/Fence
 WARRANTY REMEDIES ARE NOT AVAILABLE IF REQUIREMENTS ARE NOT FOLLOWED.

www.LPCorp.com/Fence
 or for additional support call 800-450-6106

© 2019 Louisiana-Pacific Corporation. All rights reserved. LP and LP Elements are registered trademarks of Louisiana-Pacific Corporation.

⚠ WARNING: Drilling, sawing, sanding or machining wood products can expose you to wood dust, a substance known to the State of California to cause cancer. Avoid inhaling wood dust or use a dust mask or other safeguards for personal protection.

For more information go to www.P65Warnings.ca.gov/wood.



Louisiana-Pacific Corporation
 414 Union St.
 Nashville, TN 37219

www.LPCorp.com/Fence