

C8a

# BRICK LEDGE CANTILEVER

## Full Depth Reinforcing (1-Side)

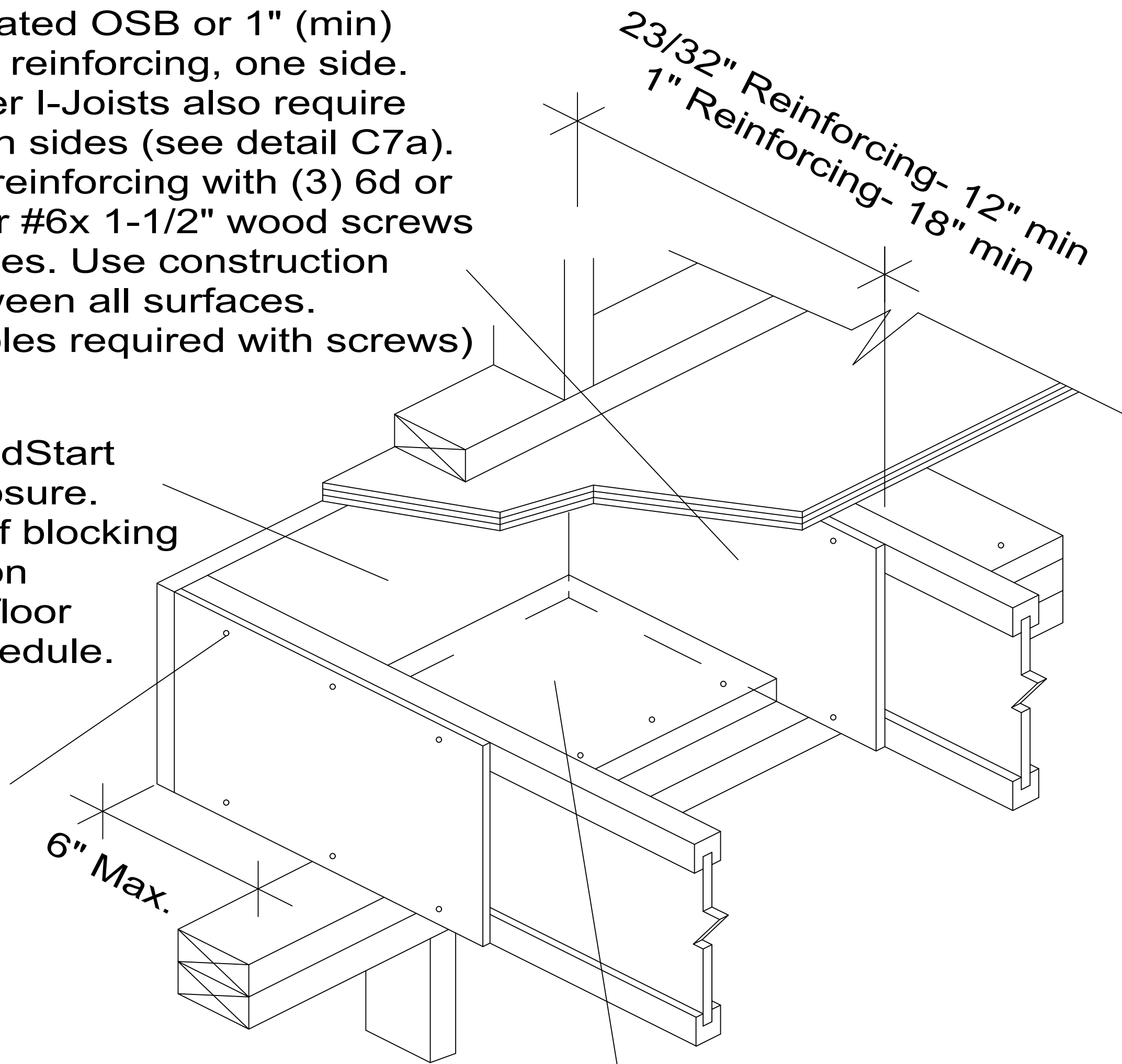
23/32" APA Rated OSB or 1" (min)  
LP Rim Board reinforcing, one side.  
14" and deeper I-Joists also require  
web fillers both sides (see detail C7a).  
Nail or screw reinforcing with (3) 6d or  
8d box nails or #6x 1-1/2" wood screws  
into both flanges. Use construction  
adhesive between all surfaces.  
(Note: Pilot holes required with screws)

Min 1" LP SolidStart  
Rim Board closure.  
Nail to edge of blocking  
with connection  
equivalent to floor  
sheathing schedule.

2" min from  
end of I-Joist

6" Max.

23/32" Reinforcing- 12" min  
1" Reinforcing- 18" min



2x or LP Rim Board Soffit Block  
must extend to inside face of rim board closure.  
Attach to bearing wall as required by code.