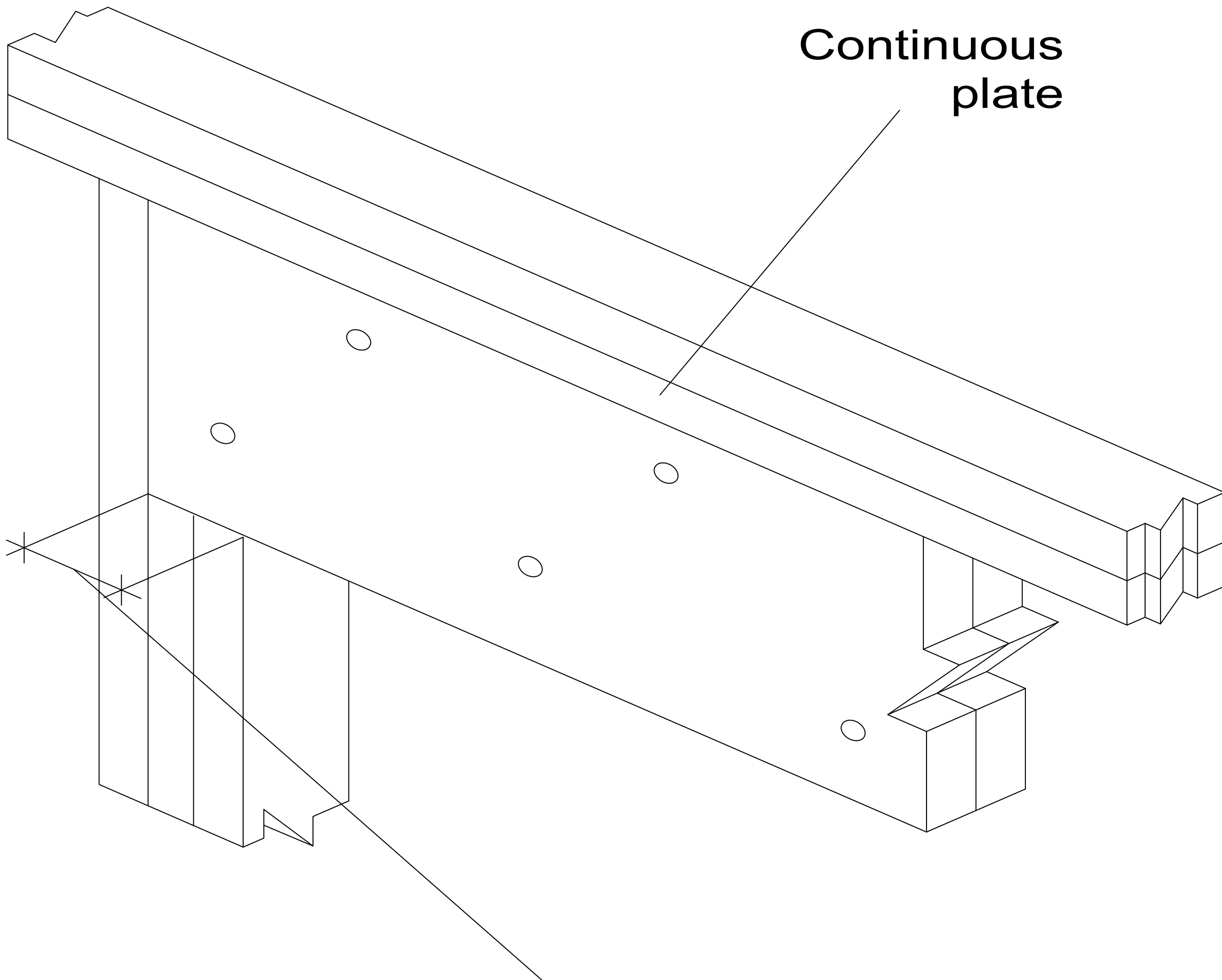


Q2

FLUSH WINDOW/DOOR HEADER



Continuous
plate

Provide specified or prescriptive bearing length