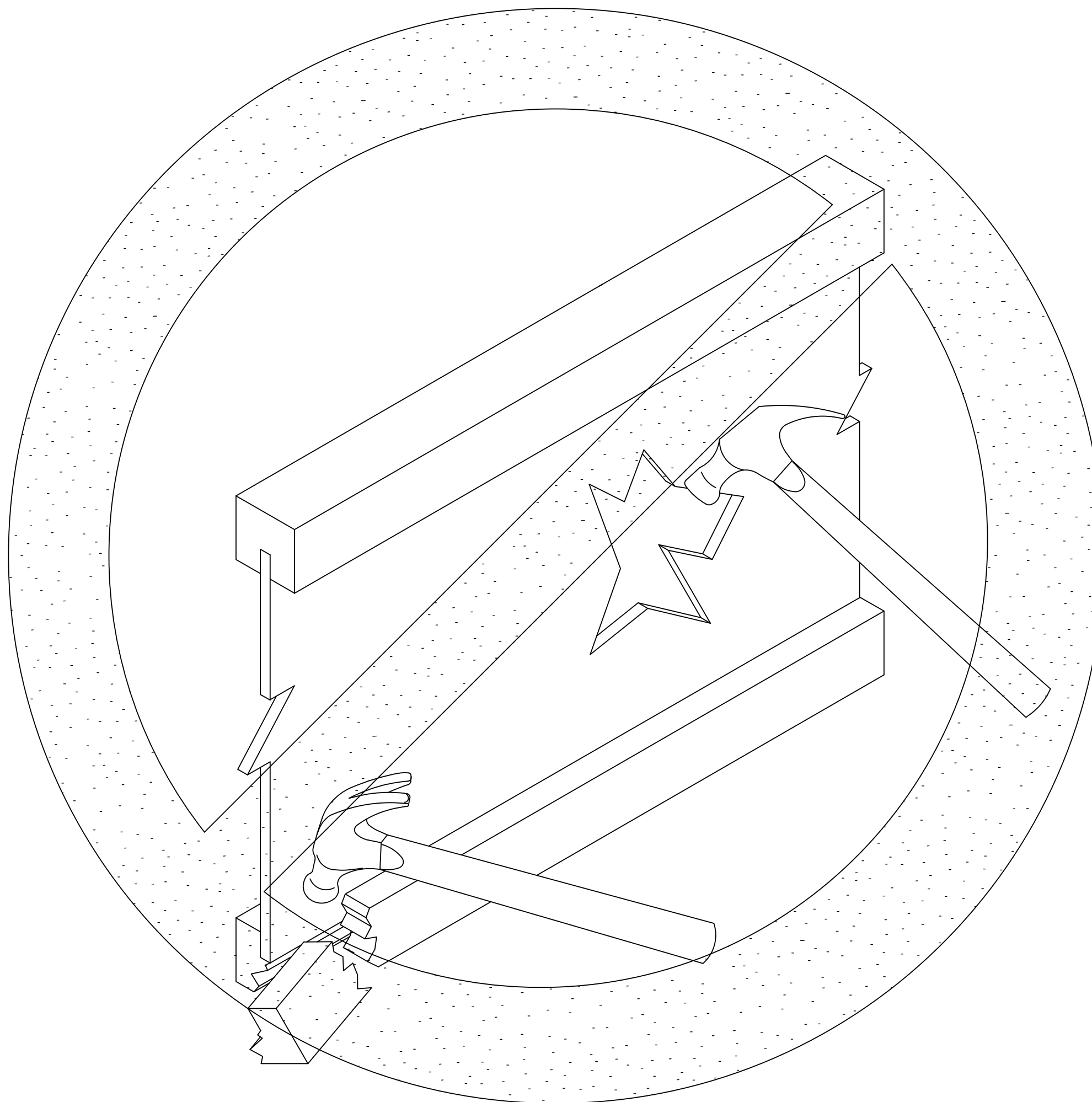


R3

DON'T make holes with hammers unless knock-out is provided.



DON'T hammer on flange and damage joist.