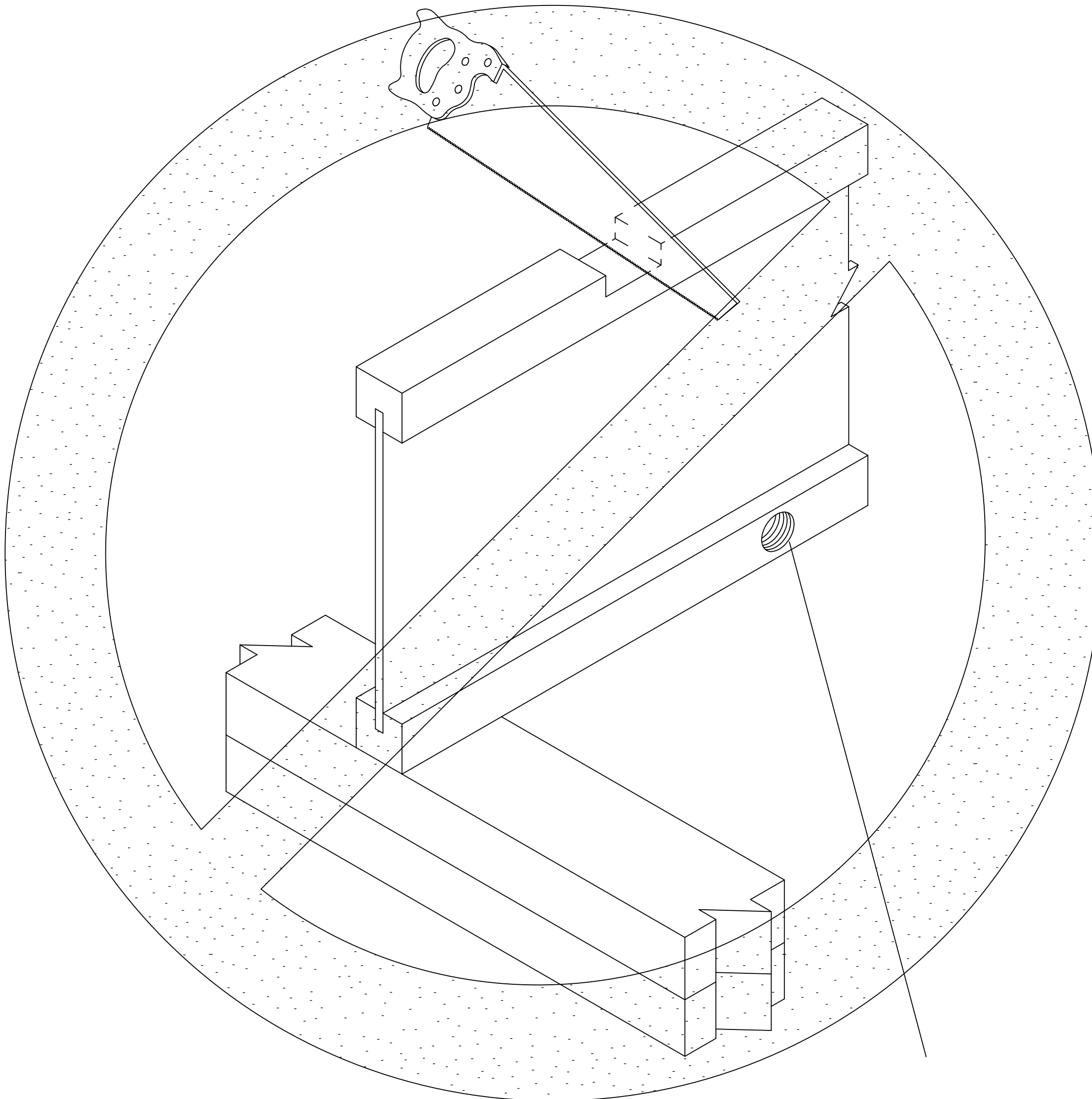


R4

**DON'T cut or notch flange.**



**DON'T drill flange.**