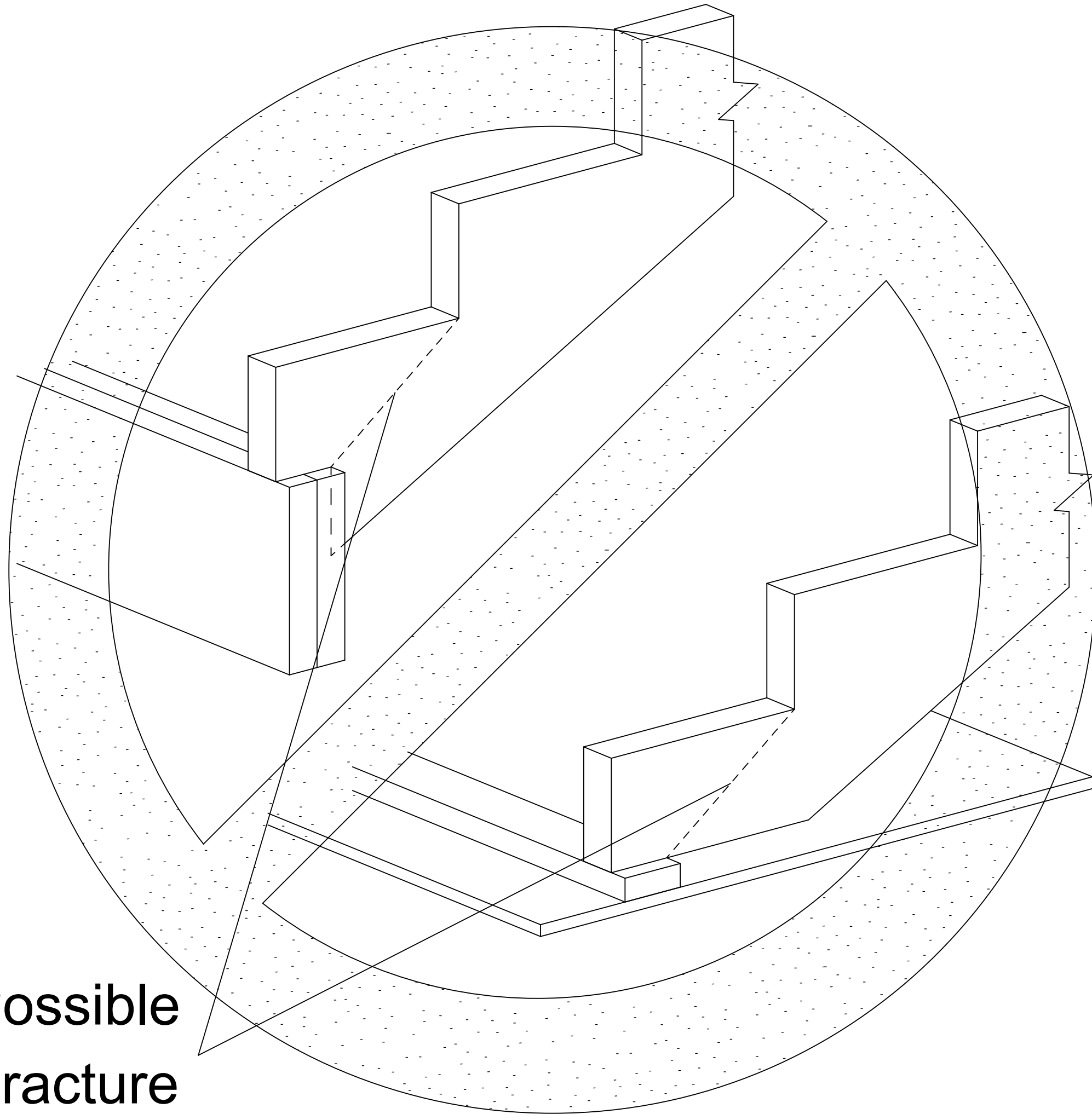


R12

# DON'T Partially Support Stringers- Bottom



Possible  
Fracture  
Line