

ON SITE STORAGE

- Handle prefinished LP® SmartSide® ExpertFinish® accessory products with extreme care during storage and application.
- Store off the ground, well supported, on a flat well-drained surface.
- Store products under a roof or separate waterproof covering.
- Keep products clean and dry. Inspect prior to installation.

GENERAL INFORMATION

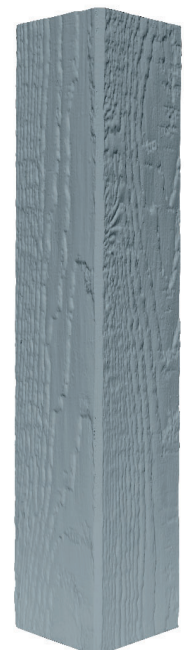
- Minimum 6 inch (152 mm) clearance must be maintained between accessory product and finish grade (ground cover).
- All wood substrate exposed to the weather must be sealed in a manner that prevents moisture intrusion and water accumulation.
 - Seal ALL exposed cuts of product.
 - Sealing can be accomplished by applying a coating/paint according to the manufacturer's requirements. Field spray applied coatings on cuts are not recommended.
- Accessory products must not be in direct contact with masonry, concrete, brick, stone, stucco or mortar.
- Cut accessory products with a sharp blade. Face prefinished surface up and cut downward. Replace blade if chipping or tearing occur.
- A properly installed, code approved water-resistive barrier (WRB) is required.
 - Consult your local building code for details.



J-Block

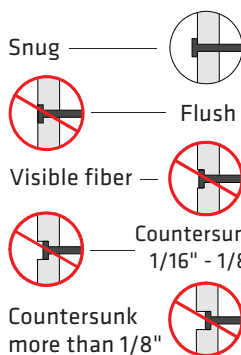


Mini-Split

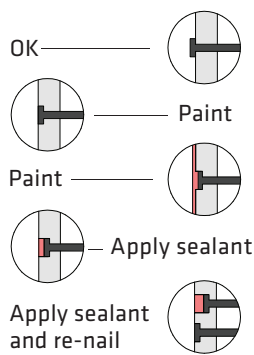


Outside Corner Trim

CONDITION



CORRECTION



Nailing Schedule

- **Fasteners:** Apply and correct overdriven fasteners as shown in [Diagram 2c](#).
- **Sealant:** Use an exterior-quality, non-hardening, paintable sealant.
 - Class 25 or higher exterior sealant meeting the ASTM C920 Standard Specification for Elastomeric Joint Sealants.
 - Follow the sealant manufacturer's instructions for application.

Diagram 2c

PREPARATION

J-Blocks & Mini-Splits

- Must be properly sealed or flashed in a manner that prevents moisture intrusion or accumulation.
- Properly integrate flashing with a WRB according to the manufacturer's instructions. Use housewrap, adhesive flashing housewrap tape or other items as needed to maintain counter-flashing principle. (Diagram 2a)
- Leave a minimum 3/16 inch (5 mm) space at bottom and sides to allow for proper sealing. (Diagram 2a)
- Maintain a min. 3/8 inch (10 mm) space between Z-flashing and bottom edge of siding. (Diagram 2b)
 - Do not caulk between siding and Z-flashing.

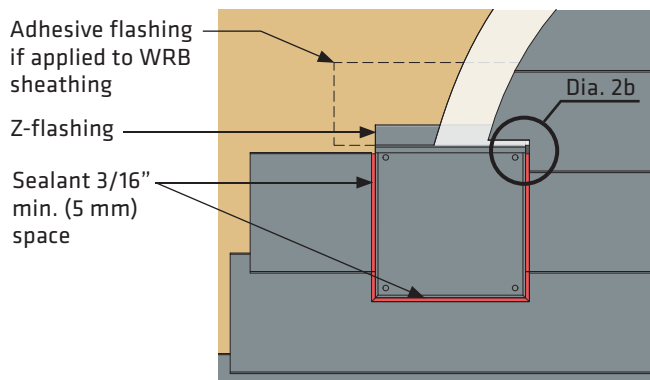


Diagram 2a

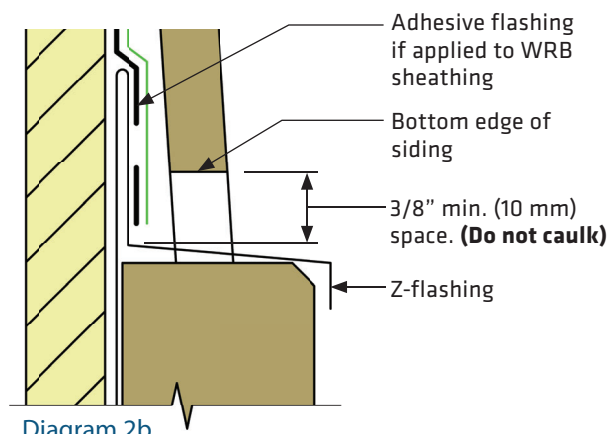


Diagram 2b

- **Penetration Size:** Recommend maximum hole size of 4 inches (10 mm) for J-Blocks and Mini-Splits. (Diagram 2d & 2f)
- When cutting holes in J-Blocks or Mini-Splits use a sharp blade. Face prefinished surface up and cut downward. Replace blade if chipping or tearing **occur**.

INSTALLATION

Fastening Instructions - Sheathing Only

- **Fastener size:** Use a minimum **0.092 inch ring shank** diameter nail, hot-dip galvanized (ASTM A153) or equivalent.
 - Fasteners shall be corrosion resistant and capable of preventing rust, stain and deterioration under normal outdoor environmental conditions for a period of no less than 50 years.
- **Fastener length:** Long enough to fully penetrate a minimum 7/16 category wood structural panel by at least 1/4 inch (6 mm). Ensure that the ring shanks of the nail fully engage the wood structural panel.
- **Fastener placement:** 1/2 inch (13 mm) from edge at each corner.
 - J-Blocks require a total of 4 nails, see diagrams for nail placement. (Diagrams 2c & 2d)
 - Mini-Splits require a total of 4 nails, see diagrams for nail placement. (Diagrams 2e & 2f)
 - Top and bottom pieces are held together using 2 reinforcement pocket screws.
 - Recommend reinforcement pocket screws be reinstalled before attaching to wall, when possible.

J-Block

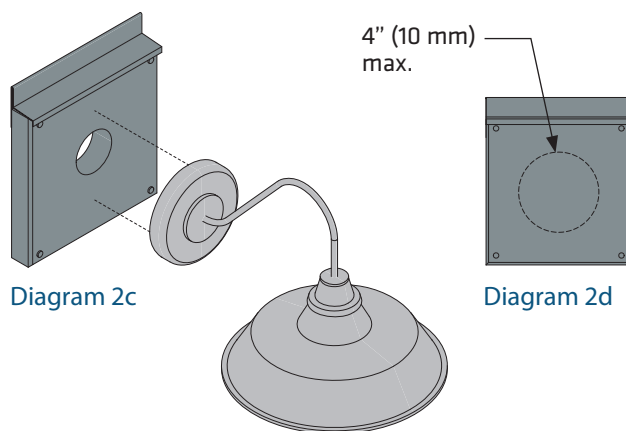


Diagram 2c

Diagram 2d

Mini-Split

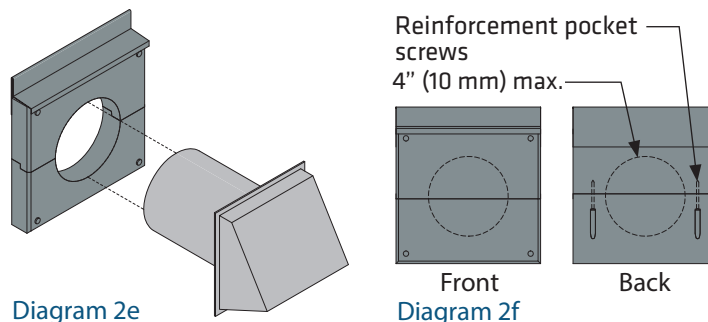


Diagram 2e

Front
Diagram 2f

Back

PREPARATION

Outside Corner Trim

- Must be applied in a manner that will not allow moisture intrusion or water accumulation.
- Should be thick enough so siding does not extend beyond the face of the trim.
- May be installed to wood structural panel wall sheathing; or directly over wood, wood composite or fiber cement siding.
- Outside corner trim applied adjacent to surfaces such as porches, patios, balconies, walking surfaces or porch columns must have a clearance of at least 1 inch (25 mm) above any horizontal surface. Clearance may be reduced to 3/8 inch (10 mm) for:
 - Porches, patios, balconies, or walking surfaces that slope away from the structure and are covered by a roof, not an eave or overhang.
- Where edges of trim meet siding material, windows, doors or other finished openings, leave a minimum 3/16 inch (5 mm) space to allow for proper sealant/caulking.

INSTALLATION

Fastening Instructions

- **Fastener size:** Use a minimum **0.092 inch smooth shank** diameter nail, hot-dip galvanized (ASTM A153) or equivalent.
 - Fasteners shall be corrosion resistant and capable of preventing rust, stain and deterioration under normal outdoor environmental conditions for a period of no less than 50 years.
- **Fastener length:** Long enough to penetrate structural framing; or wood structural panels and structural framing a minimum of 1 inch (25 mm).
- **Fastener placement:** 3/8 inch (10 mm) from ends, 1-1/2" (38 mm) from outside corner edge. (Diagram 3c)
 - Do not nail into outside corner edge. (Diagram 3d)
- **Fastener spacing:** Trim must be fastened with two nails at both ends, with additional fasteners spaced a maximum of 24 inches (610 mm) o.c. along the length of the board (Diagram 3a); or with two nails at both ends, with additional fasteners spaced a maximum of 12 inches (305 mm) o.c. along alternate edges the length of the board. (Diagram 3e)
- **Fastener quantity:** Use a minimum of 2 nails per width.
- **Horizontal joints:** When stacking outside corner trim, end joints require a 3/16" inch (5 mm) space and seal with a ASTM C920 min. Class 25 sealant. (Diagram 3d)

Alternative Fastening Option - Sheathing Only

- **Fastener size:** Use a minimum **0.092 inch ring shank** diameter nail, hot-dip galvanized (ASTM A153) or equivalent.
 - Fasteners shall be corrosion resistant and capable of preventing rust, stain and deterioration under normal outdoor environmental conditions for a period of no less than 50 years.
- **Fastener length:** Long enough to penetrate a minimum 7/16 category wood structural panel sheathing by at least 1/4 inch (6 mm).

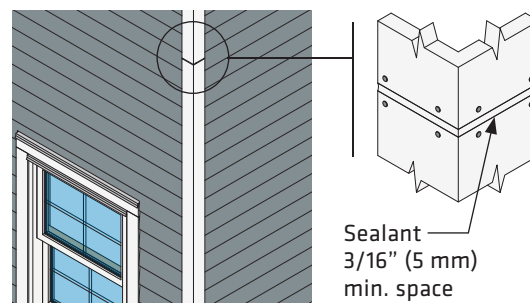
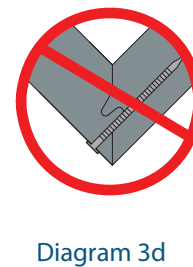
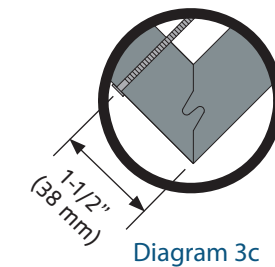
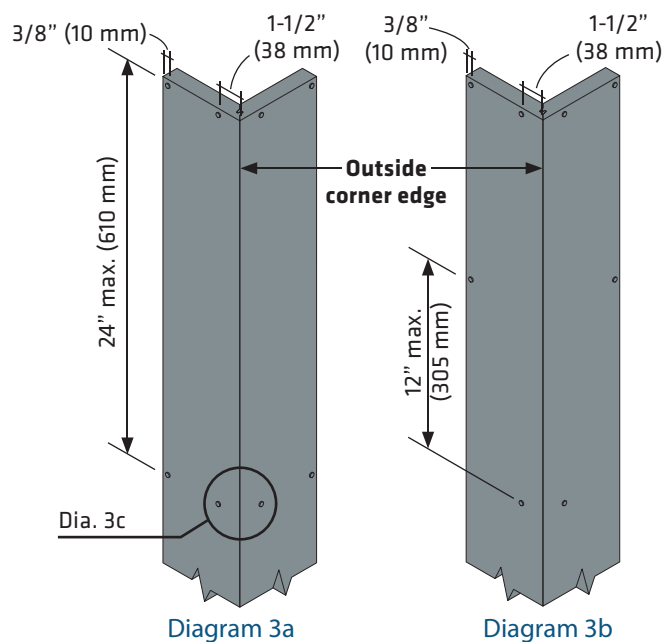


Diagram 3e

FINISHING

Finishing Guidelines

- Paint all field cuts to J-Blocks, Mini-Splits and Outside Corner Trim before installing.
 - Especially the bottom ends of outside corner trim field cut near the roof line or grade.
- Paint exposed nail heads.
- Apply touch up paint only when air, siding and paint temperature are above 50°F and will remain above 50°F until the paint is dry.
 - Shake touch up paint for 90 seconds before every use.
- Do not apply touch up paint to wet siding.
 - Avoid touch up painting when condensation is likely to form.
 - Avoid touch up painting when rain, snow, sleet or hail is possible.
- Touch up any damage to finish that may occur during application of accessory.
 - Use touch up paint sparingly.
 - Apply touch up paint to scratches less than 1 inch in length and less than 1/16 inch wide.
 - Do not apply touch up paint to spots greater than 3/4 inch in diameter.
- Use appropriate tools provided in the LP® SmartSide® ExpertFinish® Touch Up Kit.
 - Nail head sealer applicator for nail heads. (Diagram 4a, #1)
 - Cut end sealer applicator for field cut ends. (Diagram 4a, #2)
- Store touch up paint at temperatures between 40°F and 100°F.
 - Do not use touch up paint if you suspect the touch up paint has frozen.
- The touch up paint is air dried, while the factory applied coating is cured using ovens. For this reason, the touch up paint may have some minor differences initially and after time.
 - Minimizing the use of touch up paint is the best approach to ensure these minor differences are less noticeable.
- To purchase additional touch up paint, please call 888-820-0325.



(1)



(2)

Diagram 4a

The Louisiana-Pacific Corporation (“LP”) LP SmartSide ExpertFinish Accessory Products (the “Products”) limited warranty (the “Warranty”) applies only to structures on which the Products have been applied, finished and maintained in accordance with the published application, finishing and maintenance instructions in effect at the time of application. The failure to follow such application, finishing or maintenance instructions will void the Warranty as to the portion of the Products affected by the variance (the “Affected Products”).

LP assumes no liability for any loss or damage sustained by the Affected Products and is expressly released by the purchaser or owner from any such loss or liability.

Any modification of the Warranty’s application, finishing or maintenance requirements is void unless approved in writing by LP prior to application.

For complete product and warranty details, visit www.lpcorp.com



Louisiana-Pacific Corporation
414 Union Street, Suite 2000
Nashville, TN 37219
Customer Service: 888-820-0325

⚠️ WARNING: Drilling, sawing, sanding or machining wood products can expose you to wood dust, a substance known to the State of California to cause cancer. Avoid inhaling wood dust or use a dust mask or other safeguards for personal protection. For more information go to www.P65Warnings.ca.gov/wood.