



# SMARTSIDE®

PREFINISHED TRIM & SIDING

## PRECISION SERIES 38 AND 76 SERIES PRIMED AND PREFINISHED LAP SIDING

### GENERAL

- At the time of manufacture, siding meets or exceeds the performance standards set forth in ICC-ES-AC321 and has achieved code recognition under ES Report ESR-1301 and HUD recognition under HUD-MR-1318. For copies of ESR-1301, call LP Customer Support at 1-800-648-6893 or go online at [http://www.icc-es.org/Reports/pdf\\_files/ESR-1301.pdf](http://www.icc-es.org/Reports/pdf_files/ESR-1301.pdf).
- Minimum 6 in (152 mm) clearance must be maintained between siding and finish grade.
- Siding applied adjacent to porches, patios, walks, etc. must have a clearance of at least 1 in (25mm) above any surface.
- Minimum 1 in (25 mm) clearance at intersection with roof line
- Apply siding in a manner that prevents moisture intrusion and water buildup.
- All exposed wood substrate must be primed and painted in a manner that prevents moisture intrusion and water buildup.
- In non-traditional ICF and SIP assemblies, the ICF or SIP manufacturer must prescribe the fastening specifications. See nailing instructions on the next page for fastening 8 in (203 mm) lap siding to SIP assemblies. Note: LP does not recommend any other LP SmartSide siding for use in these non-traditional assemblies. If used, LP will not warrant for Buckling and Shrinkage. However, balance of warranty does remain intact.
- When using wet blown cellulose insulation, the insulation must not be in direct contact with the siding and it must be allowed to dry a minimum of 24 hours or longer if specified by the insulation manufacturer.
- DO NOT USE STAPLES
- SIDING MUST NOT BE IN DIRECT CONTACT WITH MASONRY

### STORAGE

- Store off the ground well supported, on a flat surface, under a roof or separate waterproof covering
- Keep siding clean and dry. Inspect prior to application.
- Allow siding to adjust to atmospheric conditions before application.

### STUD SPACING/DIMENSIONS

- Space studs no farther apart than the span rating indicated on the product trademark.
- Precision 38 Series lap may be installed up to 16 in (405 mm) OC framing spans. Precision 76 Series lap may be installed up to 24 in (610 mm) OC framing spans.
- Stud or framing dimensions must be a minimum of 1.5 in by 3.5 in (38 mm by 89 mm).
- Precision 38 and 76 Series lap must be installed horizontally.

### FURRING STRIPS (STRAPPING)

When strips are required, they must be installed VERTICALLY and nailed into wall studs, 16 in (405 mm) O.C., over the full height of the wall. Furring strips must not be less than .5 in (12 mm) thick:

TO ENSURE VENTILATION, BOTH THE TOP AND BOTTOM OF THE SPACE BETWEEN FURRING STRIPS MUST BE LEFT OPEN. At the top, this gap can be behind the soffit as long as the soffit is vented. The opening at the bottom should be open to the outside except for the insect screen. Under and above windows and above doors maintain spacing of 2 in (50

mm) between furring strip and horizontal framing (see diagram). Furring strips must be installed with nails that penetrate the studs a minimum of 1.25 in (32 mm).

### INSULATED SHEATHINGS

LP SmartSide Sidings may be installed over foam plastic or fiber-glass sheathings. The following precautions must be followed:

- Adequate bracing of the wall in accordance with the local building code is required.
- For foam plastic sheathing up to 1 in. (25.4 mm) thick, siding may be nailed directly to the foam sheathing. Nail length must be increased to ensure a minimum 1-1/2" fastener penetration into the structural framing or combined APA rated sheathing and framing.
- For foam plastic sheathing greater than 1 in. (25.4 mm), a minimum 1-1/2 in. (31.75 mm) thick by 4 in. (76.2 mm) wide strapping must be installed over the foam to provide a solid, level nailing base for the siding. The strapping must be securely fastened to structural framing spaced no greater than 16 in. OC (406 mm) with a minimum nail penetration of 1-1/2 in. (31.75 mm) and a maximum nail spacing no greater than the width of the siding.

Louisiana-Pacific will assume no responsibility for any damage or condition arising from the use of foam sheathing.

### MOISTURE

- Moisture control and moisture vapor control are critical elements of proper housing design. Check your local building codes for application procedures for handling moisture and moisture vapor in your area.
- As with all wood products, do not apply engineered wood siding to a structure having excessive moisture conditions such as drying concrete or plaster. If such conditions exist, the building should be well ventilated to allow it to dry prior to the application of the siding.
- Siding must not be applied to green or crooked structural framing members. Do not apply siding over rain-soaked or buckled sheathing materials.
- Gutters are recommended for control of roof water run off.

### VAPOR RETARDER/WEATHER BARRIER

- A properly installed breathable water-resistive barrier is required behind the siding.
- Consult your local building code for details.
- LP will assume no responsibility for water penetration.

### GAPS & SEALANTS

- Seal all gaps with a high-quality, non-hardening, paintable sealant with a minimum stated service life of 30 years. Follow the sealant manufacturer's instructions for application.

### FLASHING, WINDOWS, DOORS & OPENINGS

- All openings must be properly sealed or flashed in a manner that prevents moisture intrusion or buildup. Several examples that accomplish this are shown on the following pages.

## APPLICATION INSTRUCTIONS (CONT.)

### TRIM

Trim should be thick enough so the siding does not extend beyond the face of the trim.

- Trim and fascia must be applied in a manner that will not allow moisture intrusion or water buildup.
- LP® SmartSide® siding is not designed and/or manufactured to be used as trim or fascia. LP SmartSide trim and fascia are available in a variety of dimensions.

### NAILING INSTRUCTIONS

- LP SmartSide 76 Series lap siding may be attached directly to framing members spaced up to a maximum of 24 in (600 mm) on center. 76 Series LP SmartSide Lap may also be applied over code-approved nailable sheathing.
- SmartLock Self-aligning lap should be installed in the same manner as 76 Series lap siding.
- LP SmartSide 38 Series lap siding may be attached over nailable sheathing or directly to framing members that are spaced up to a maximum of 16 in (406 mm) on center.
- Check your local building code before starting to install the Product to confirm if sheathing is needed.
- Alternative Fastening Options for 8 in (203 mm) only 38 Series Precision Lap Over Structural Sheathing and 24 in (610 mm) OC Wall Framing
  - The sheathing must be a minimum 7/16 in (11 mm) thickness with an APA-The Engineered Wood Association trademark that contains the consensus standard DOC PS2.
  - The transverse windload design values in table 4 of the APA Product Report PR-N124 may be used when the following fasteners specifications are met.
- 38 series precision lap must be fastened with:
  - a minimum no. 8 corrosion resistant tapered head wood screw with a maximum spacing of 12 in (300 mm) on center with 1.5 in (38 mm) screw penetration into each stud or . . .
  - a minimum 6d corrosion resistant ring shank nail with a maximum spacing of 8 in (203 mm) on center with 1.5 in (38 mm) nail penetration into each stud.
- Alternative Fastening Options Over SIP Assemblies:
  - The sheathing must be a minimum 7/16 in (11 mm) thickness with an APA-The Engineered Wood Association trademark that contains the consensus standard DOC PS2
  - The transverse windload design values in table 4 of the APA Product Report PR-N124 may be used when the following fasteners specifications are met.
- 38 series precision lap must be fastened with:
  - a minimum no. 8 corrosion resistant tapered head wood screws with a maximum spacing of 12 in (305 mm) on center or...
  - a minimum 6d corrosion resistant ring shank nail with a maximum spacing of 8 in (200 mm) on center
- 76 series precision lap must be fastened with:
  - a minimum no. 8 corrosion resistant tapered head wood screw with a maximum spacing of 16 in (400 mm) on center or . . .
  - a minimum 6d corrosion resistant ring shank nail with a maximum spacing of 12 in (305 mm) on center.
- Increase nail penetration if code requires.
- Blind nailing is required except around windows and other wall openings
- Siding joints should be staggered over successive courses. For installation with or without nailable sheathing, **joints must occur over stud locations.**
- Siding should be installed with top (blind) nailing, with the nails placed a minimum of 3/8 in (9.5 mm) from either end. Siding may be face nailed as required.
- Overlap successive courses of siding a minimum of 1 in (25 mm).
- Use minimum 8d (50 mm), corrosion resistant, box style nails.
- All exposed face nails must be caulked and sealed in a manner that

prevents moisture intrusion and water buildup.

- Fasteners at each stud location must penetrate solid wood framing or the sheathing and wood framing a minimum of 1.5 in (38 mm).
- For information on fastening LP SmartSide Lap products in high wind speed areas, refer to ICC-ES Report ESR-1301.

#### CAUTION

- Do not force siding into place.
- DO NOT USE STAPLES.

### FINISHING INSTRUCTIONS - PRIMED LAP SIDING

#### DO

- Priming all exposed wood substrates before painting is highly recommended.
- Paint all exposed siding surfaces including drip edges.
- Thoroughly paint the bottom edges of siding especially all cut ends next to the roof line.
- Apply paint as soon as possible and within 180 days of application.
- Follow the coating manufacturer's application and maintenance instructions.
- High-quality acrylic latex paint, specially formulated for use on wood and engineered wood substrates, is highly recommended. Semi-gloss or satin finish oil or alkyd paints are acceptable. For flat alkyd paint, please check with the coating manufacturers for their recommendations for use on composite wood siding.

### ACCESSORIES

A complete range of accessories are available from LP including:

- a) Metal starter strips
- b) Color-matched mouldings for joints, inside and outside corners, J-mouldings, drip caps and Z flashings
- c) Color-matched touch-up paint or stain
- d) Color-coordinated caulk/sealant

### SIDING APPLICATOR INSTRUCTIONS

Use a fine-toothed saw or a power saw with a combination blade. Ensure that the cutting action is toward, or into the finished side of the product; this will prevent the paint surface from chipping.

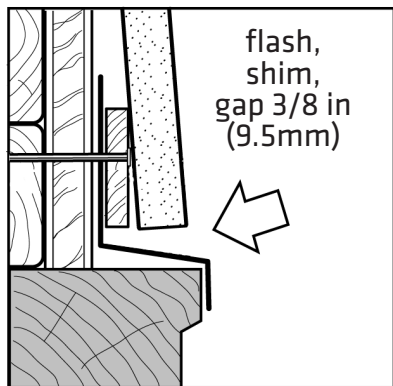
FASTENING WITH STAPLES IS NOT ALLOWED.

- a) Level and install starter strips along bottom edge of sheathing or sill plate.
- b) Use drip caps above windows and doors.
- c) Fasten the siding by nailing .75 in (19 mm) from top edge of siding at EACH STUD OR FURRING STRIP LOCATED OVER THE STUD. Begin nailing at one end of the siding and work toward the other end to prevent rippling of the siding. Do not countersink nail heads. Ensure that strips are aligned at corners of the building.
- d) The vertical joint between adjacent siding pieces must be located over the middle of a stud or furring strip. Leave a 3/16 in (5 mm) gap between siding pieces and nail into the stud or furring strip located over the stud at 16 in (400 mm) on center. Insert a joint moulding into the gap or seal using a high quality paintable non-hardening sealant. When sealing, avoid overlapping the sealant onto the face of the siding. LEAVE A 3/16 in (5 mm) GAP WHERE SIDING BUTTS AGAINST TRIM TO ALLOW FOR EXPANSION. These joints can be sealed or covered with a color-matched j-moulding.
- e) Color matched touch-up paint can be used to repair scratches and paint chips. Dab the touch-up with a Q-tip, do not brush or rub.

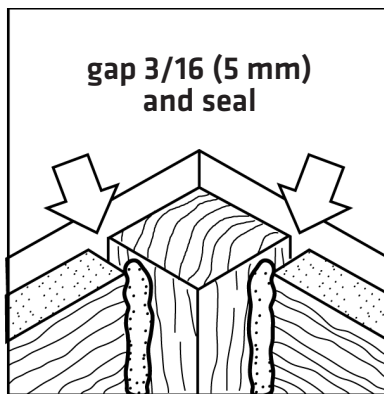
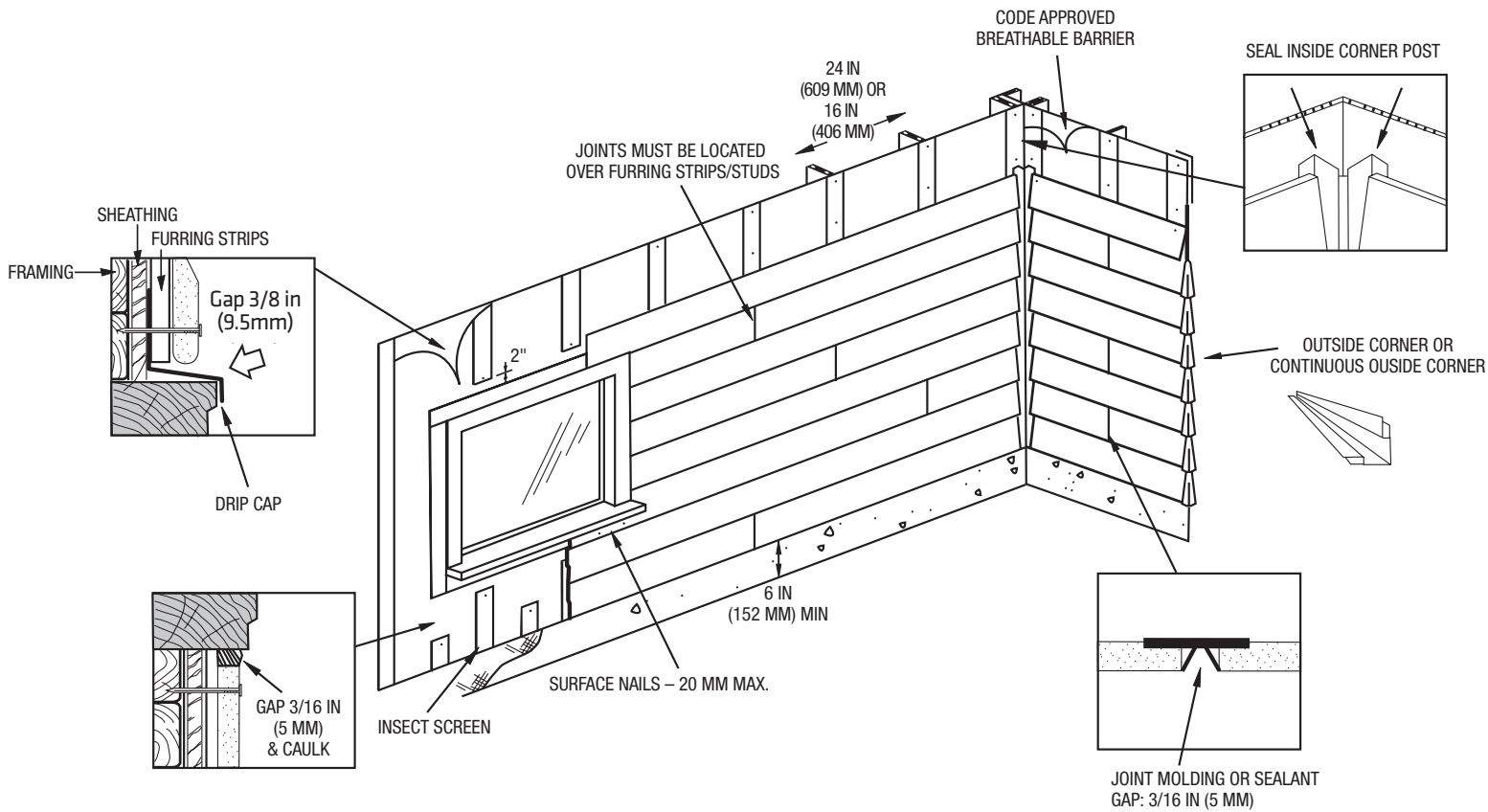
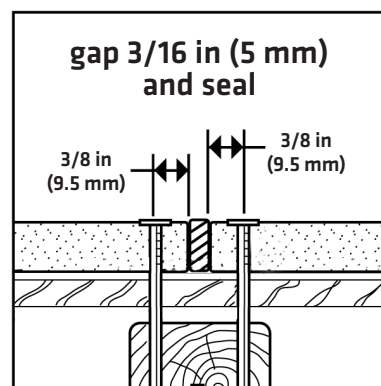
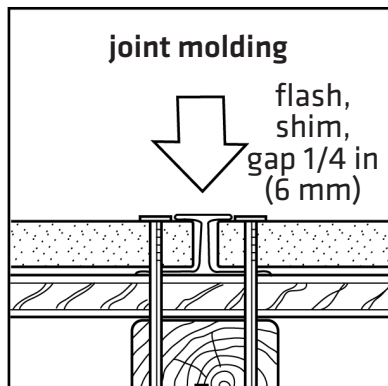
### CARE OF PREFINISHED SIDING

All Prefinished SmartSide finishes are long wearing and require simple maintenance. For best results, siding must be washed annually using non-abrasive household cleaners according to the manufacturer's recommendations. Test cleaners on a small area to ensure they do not damage the finish. Rinse siding surface thoroughly after cleaning.

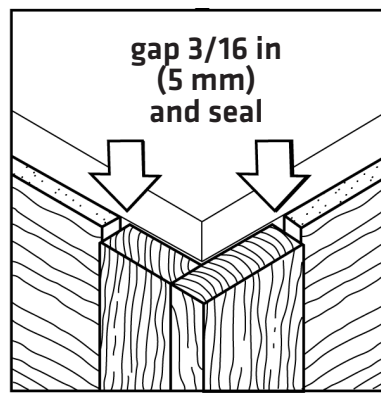
**over openings**



**alternate joint treatment**

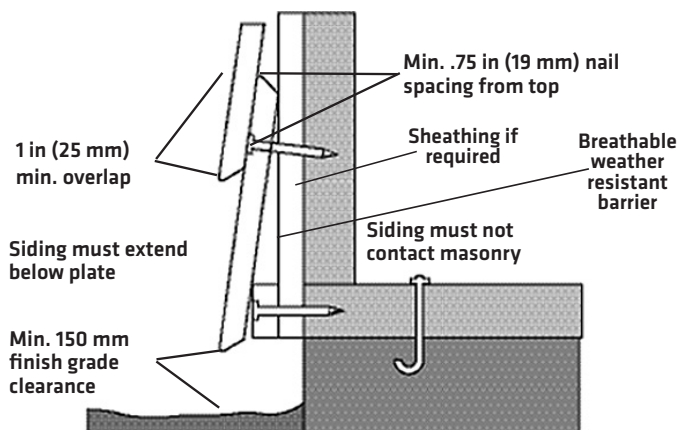


**alternate  
inside corner  
detail**

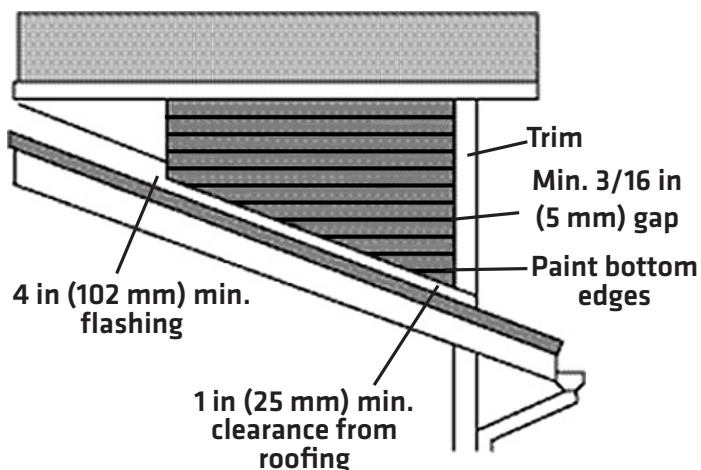


**alternate  
outside corner  
detail**

## OVERLAP, CLEARANCE & NAILING SPACE

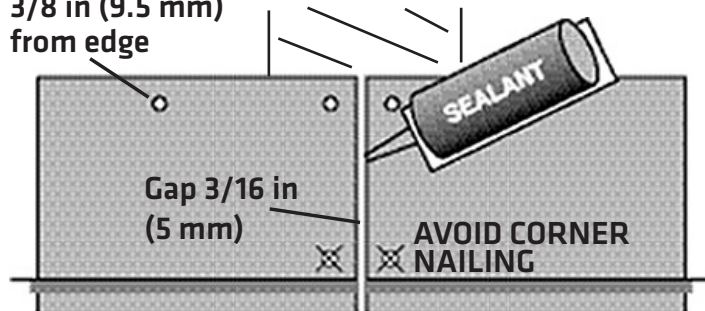


## 1" ROOF & CHIMNEY CLEARANCE



## 5 MM GAP

Nail min. .75 in (19 mm) from top and 3/8 in (9.5 mm) from edge



- A minimum 5 mm gap is required at butt joints.
- Seal all gaps at butt joints.
- Unsheathed walls require adequate bracing.
- Joints must occur over the studs.

The Louisiana-Pacific Corporation ("LP") LP SmartSide Siding (the "Products") limited warranty (the "Warranty") applies only to structures on which the Products have been applied, finished and maintained in accordance with the published application, finishing and maintenance instructions in effect at the time of application. The failure to follow such application, finishing or maintenance instructions will void the Warranty as to the portion of the Products affected by the variance (the "Affected Products").

LP assumes no liability for any loss or damage sustained by the Affected Products and is expressly released by the purchaser or owner from any such loss or liability.

Any modification of the Warranty's application, finishing or maintenance requirements is void and unenforceable unless approved in writing prior to application by the siding general manager or his designee and a member of the LP Legal Department.

For a copy of the warranty or for installation and technical support, visit the LP SmartSide product support Web site at:

[www.lpcorp/smartside.com](http://www.lpcorp/smartside.com)

or for additional support call 800.450.6106.



© 2015 Louisiana-Pacific Corporation. All rights reserved. LP and SmartSide are registered trademarks of Louisiana-Pacific Corporation. Printed in U.S.A.

NOTE: Louisiana-Pacific Corporation periodically updates and revises its product information. To verify that this version is current, call 800-450-6106.