



**SMARTSIDE®**  
TRIM & SIDING

**PRECISION SERIES**  
**38 SERIES, 76 SERIES, 190 SERIES**  
**PRIMED PANEL SIDING**

## GENERAL

- At the time of manufacture, LP's Precision Series primed panel siding meets or exceeds the performance standards set forth in ICC-ES acceptance criteria ACC321 and has achieved code recognition under the ICC-ES Report ESR-1301, and HUD recognition under HUD-MR-1318. For copies of ESR-1301, call LP Customer Support at 1-800-648-6893 or go on-line at [http://www.icc-es.org/reports/pdf\\_files/ICC-ES/ESR-1301.pdf](http://www.icc-es.org/reports/pdf_files/ICC-ES/ESR-1301.pdf).
- Do not use North of the Tropic of Capricorn
- Structural properties including bracing values and energy efficiency rating have been independently converted according to relevant Australian standards, including AS1684.1, AS1684.2 and AS1720.1. Therefore this panel is considered by an independent engineering group to be in compliance with the requirements of the BCA (Building Code of Australia).
- Minimum 152.4 mm clearance must be maintained between siding and finish grade.
- Siding applied adjacent to porches, patios, walks, etc. must have a clearance of at least 25.4 mm above any surface.
- Minimum 25.4 mm clearance at intersection with roof line
- Apply siding in a manner that prevents moisture intrusion and water buildup.
- All exposed wood substrate must be primed and painted in a manner that prevents moisture intrusion and water buildup.
- In non-traditional ICF and SIP assemblies, the ICF or SIP manufacturer must prescribe the fastening specifications. Note: LP does not recommend LP SmartSide for use in these non-traditional assemblies. If used, LP will not warrant for Buckling and Shrinkage. However, balance of warranty does remain intact.
- When using wet blown cellulose insulation, the insulation must not be in direct contact with the siding and it must be allowed to dry a minimum of 24 hours or longer if specified by the insulation manufacturer.
- DO NOT USE STAPLES

## STORAGE

- Store off the ground well supported, on a flat surface, under a roof or separate waterproof covering
- Keep siding clean and dry. Inspect prior to application.
- Allow siding to adjust to atmospheric conditions before application.

## STUD SPACING

- Evenly spaced framing at 400 mm is recommended for Precision Series 38 Series and 76 Series panel siding. Framing spans up to 450 mm O.C. are permitted when an additional stud is centered behind each vertical shiplap joint. When installing over 600 mm OC framing, Precision Series 190 Series panel siding is required.

## MOISTURE

- Moisture control and moisture vapor control are critical elements of proper housing design. Check your local building codes for application procedures for handling moisture and moisture vapor in your area.
- As with all wood products, do not apply engineered wood siding to a structure having excessive moisture conditions such as drying

concrete or plaster. If such conditions exist, the building should be well ventilated to allow it to dry prior to the application of the siding.

- Siding must not be applied to green or crooked structural framing members. Do not apply siding over rain-soaked or buckled sheathing materials.
- Gutters are recommended for control of roof water run off.

## VAPOR RETARDER/WEATHER BARRIER

- A properly installed breathable water-resistive barrier is required behind the siding.
- Consult your local building code for details.
- LP will assume no responsibility for water penetration.

## GAPS & SEALANTS

- Seal all gaps with a high-quality, non-hardening, paintable sealant with a minimum stated service life of 30 years. Follow the sealant manufacturer's instructions for application.

## FLASHING, WINDOWS, DOORS & OPENINGS

- All openings must be properly sealed or flashed in a manner that prevents moisture intrusion or buildup. Several examples that accomplish this are shown on the following pages.

## TRIM

Trim should be thick enough so the siding does not extend beyond the face of the trim.

- Trim and fascia must be applied in a manner that will not allow moisture intrusion or water buildup.
- LP® SmartSide® siding is not designed and/or manufactured to be used as trim or fascia. LP SmartSide trim and fascia are available in a variety of dimensions.

## FINISHING INSTRUCTIONS

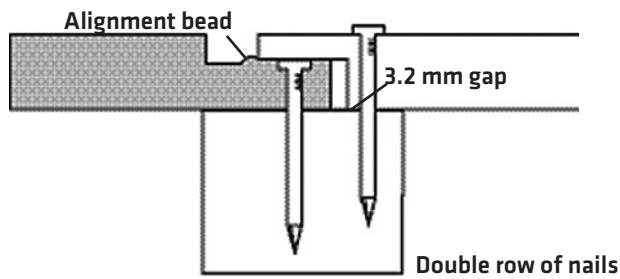
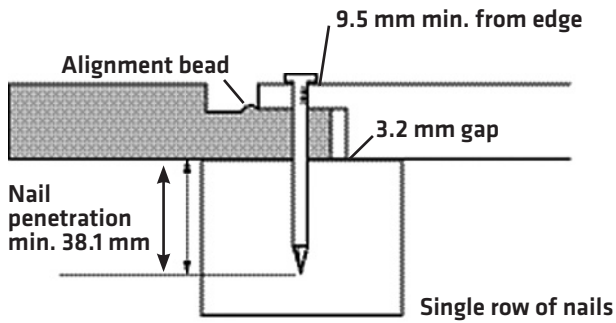
### DO

- Priming all exposed wood substrates before painting is highly recommended.
- Paint all exposed siding surfaces including drip edges.
- Thoroughly paint the bottom edges of siding especially all cut ends next to the roof line.
- Apply paint as soon as possible and within 180 days of application.
- Follow the coating manufacturer's application and maintenance instructions.
- High-quality acrylic latex paint, specially formulated for use on wood and engineered wood substrates, is highly recommended. Semi-gloss or satin finish oil or alkyd paints are acceptable. For flat alkyd paint, please check with the coating manufacturers for their recommendations for use on composite wood siding.

# Application instructions (cont.)

## NAILING INSTRUCTIONS

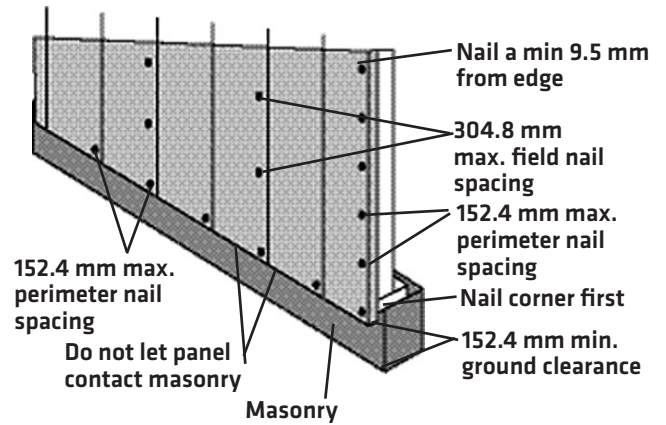
- Use minimum 50mm x 2.8mm galvanized or stainless steel clout with a minimum 7.5mm flat head 38 Series and 76 Series panels and minimum 3.3mm clout for 190 Series panels. 8g x 40mm galvanized or stainless steel self-drilling screws may also be used on 38 series panel. Do not use electroplated fasteners.
- Penetrate studs or studs and wood sheathing a combined minimum of 38.1 mm.



- 38 Series panels, double nailing procedure meets wall bracing requirements.
- Refer to appendix tables in letter by HR Design Group, File: 12-0260, Dated: 31 August 2012 for proper bracing values.
- For 76 Series and 190 Series panels, single nailing meets wall bracing requirements. To meet the equivalent 9.5 mm shear wall design values, double nailing procedures must be used. It may be necessary to angle drive the second nail in order to penetrate the framing. Seal nails driven below the surface.
- Shear values for panels applied directly to studs shall be no greater than noted in Table 1 of the ICC-ES report ESR-1301.
- Not warranted for application on SIP and ICF assemblies.

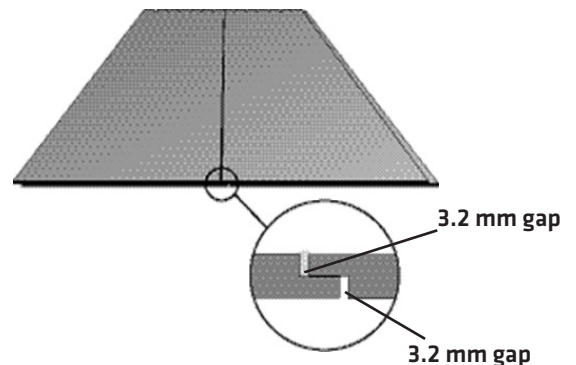
### CAUTION

- Precision series panels must be installed on wall assemblies with framing spans no greater than the spacing on page 1 of this document.
- Backside of panel must not come in contact with masonry foundation.
- Do not force siding into place. Maintain the illustrated 3.2 mm space behind the joint to allow for expansion while the panel equilibrates with the local environment.
- LP® SmartSide® Panel siding must not be attached by stapling.
- DO NOT INSTALL OVER ALIGNMENT BEAD. Install panels in light contact to the edge of alignment bead. (see above drawing)



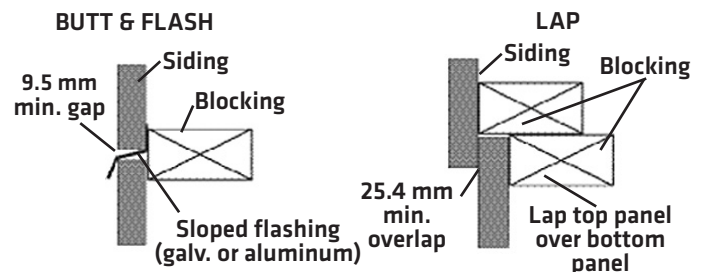
CONDITION		CORRECTION	
Snug		OK	
Flush		OK	
Visible fiber		Paint	
Countersunk 1.6 mm-3.2 mm-		Seal with caulking	
Countersunk more than 3.2 mm		Seal with caulk and re nail	

## 4 FT. X 8 FT. UNGROOVED SHIPLAP PANEL

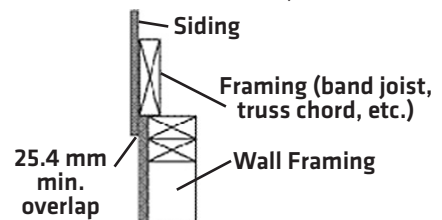


## LP SMARTSIDE PANEL SIDING JOINT DETAILS

### HORIZONTAL WALL JOINTS



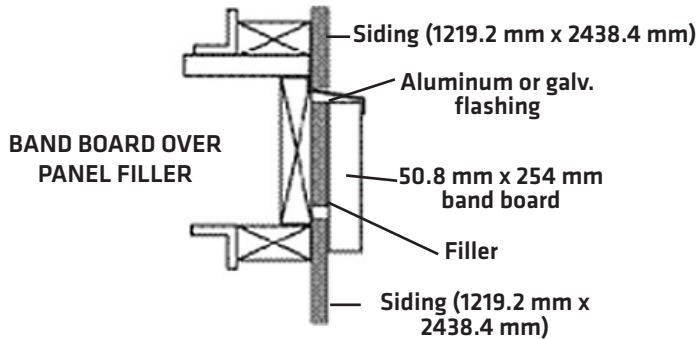
### LAPPED HORIZONTAL WALL JOINT



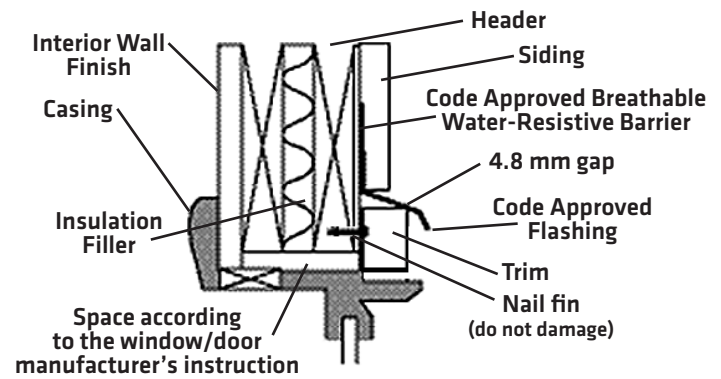
## LP SMARTSIDE PANEL SIDING JOINT DETAILS (CONTINUED)

### HORIZONTAL BELTLINE JOINTS

For multi-story buildings, make provisions at horizontal joints for "setting" shrinkage of framing, especially when applying siding directly to studs.



## GAP, FLASH DOORS & WINDOWS



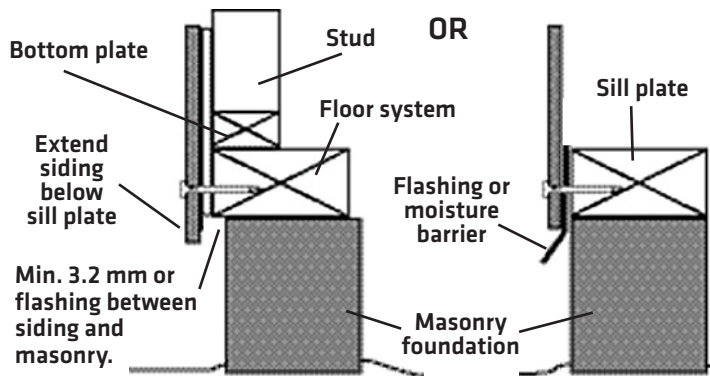
The Louisiana-Pacific Corporation ("LP") LP SmartSide Siding (the "Products") limited warranty (the "Warranty") applies only to structures on which the Products have been applied, finished and maintained in accordance with the published application, finishing and maintenance instructions in effect at the time of application. Our goods come with guarantees that cannot be excluded under the Australian Consumer Law. You are entitled to a replacement or refund for a major failure and for compensation for any other loss or damage. You are also entitled to have the goods repaired or replaced if the goods fail to be of acceptable quality and the failure does not amount to a major failure.

For a copy of the warranty or for installation and technical support, visit the LP SmartSide product support Web site at:

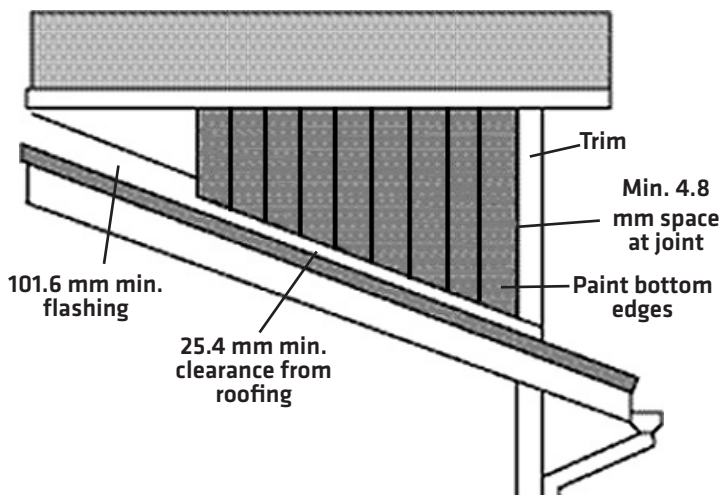
[www.lpcorp/smartside.com](http://www.lpcorp/smartside.com)

or for additional support call 800.450.6106.

## SIDING MUST NOT CONTACT MASONRY



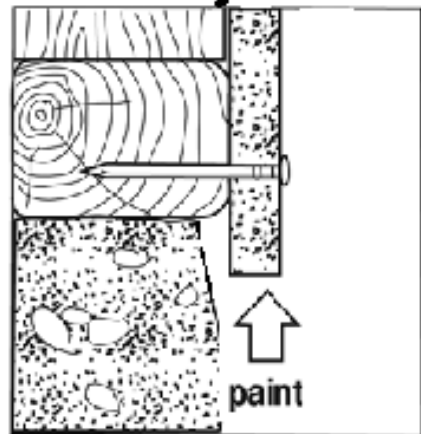
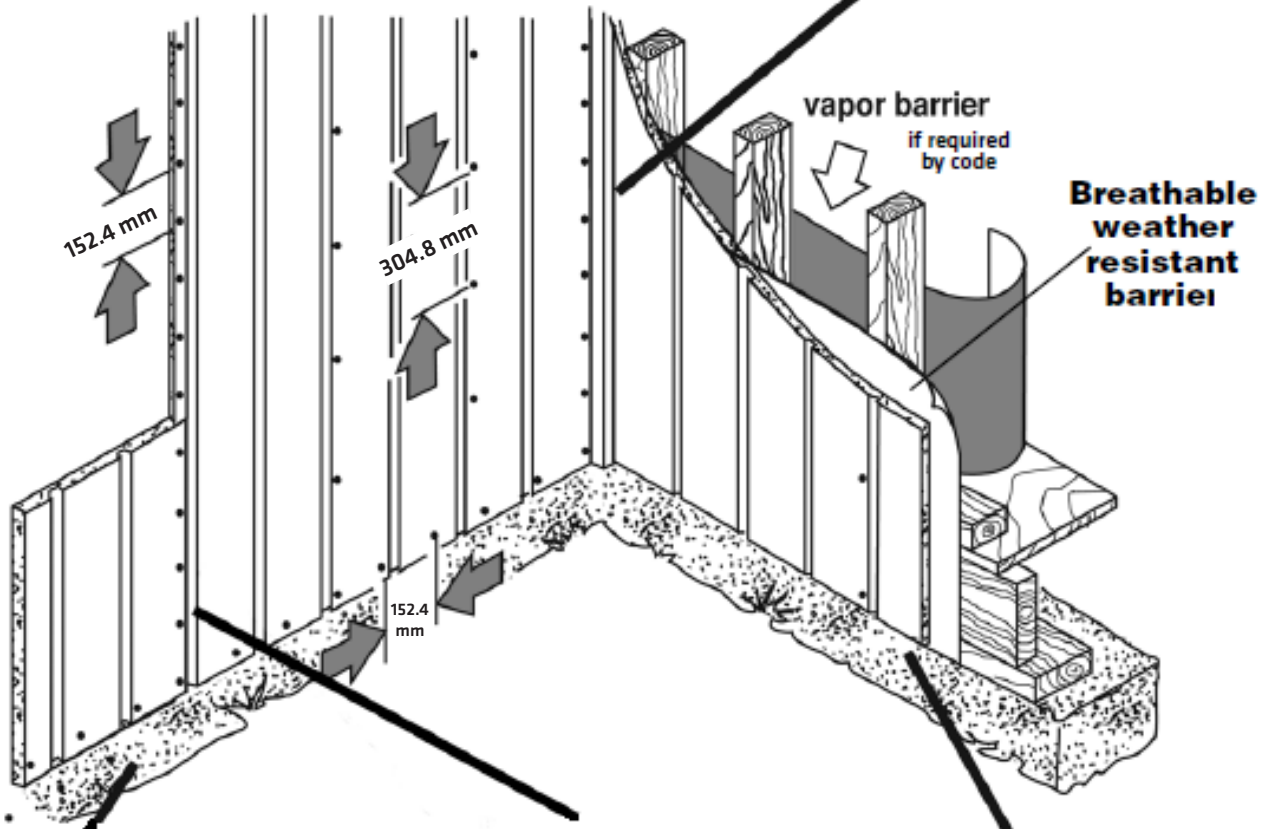
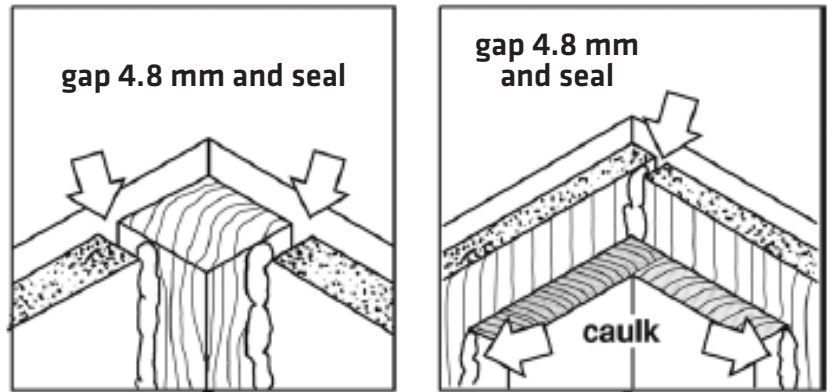
## 1 IN. ROOF & CHIMNEY CLEARANCE



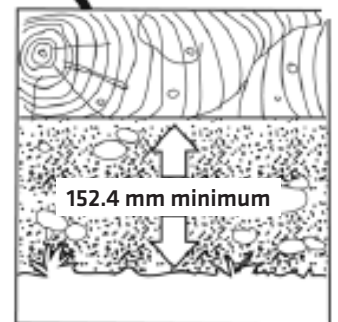
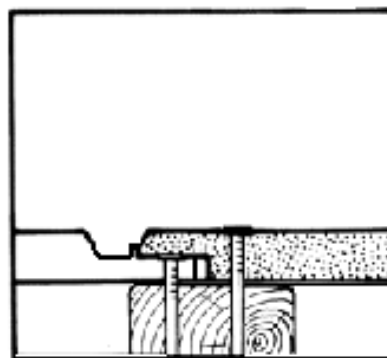
© 2014 Louisiana-Pacific Corporation. All rights reserved. LP and SmartSide are registered trademarks of Louisiana-Pacific Corporation. Printed in U.S.A.

NOTE: Louisiana-Pacific Corporation periodically updates and revises its product information. To verify that this version is current, call 800-450-6106.

# alternate inside corner details



Shiplap Edge Panel



ground clearance

bottom course detail

panel joint