

# LP WEATHERLOGIC® WATER SCREEN INSTALLATION INSTRUCTIONS

---

## MATERIALS

- Cap Screws
- Staples
- Roofing Nails

## TOOLS

- Measure Tape
- Utility Knife or Scissors
- Hammer Tacker, Nail Gun, or Drill

## GENERAL NOTES

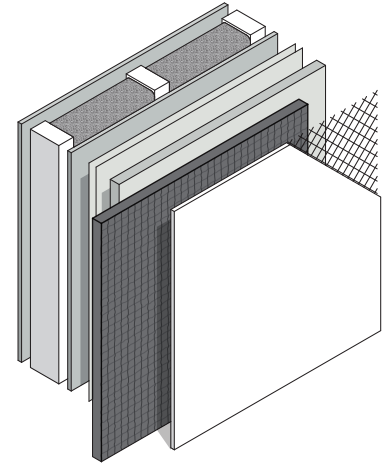
1. Consult local building codes and regulations prior to installation.
2. Ensure that the substrate is sound and that there are no voids or other protrusions or conditions that would interfere with the system's performance.
3. Building paper or WRB should be installed with windows and doors properly flashed and sealed according to manufacturer's guidelines. For additional guidance refer to ASTM E2112-07 Standard Practice for Installation or Exterior Windows, Doors and Skylights and AAMA 2400-02 (Formerly CAWM 400-95) Standard Practice for Installation of Windows with a Mounting Flange in Stud Frame Construction.
4. Exterior finish materials should be installed according to manufacturer's installation guidelines.
5. Cover rainscreen as soon as possible as it is not designed for continuous UV exposure.



# LP WEATHERLOGIC® WATER SCREEN INSTALLATION INSTRUCTIONS

## Stucco wall installation

1. Begin by placing LP WeatherLogic® Water Screen at the bottom of the wall with the fabric flap down. Unroll LP WeatherLogic Water Screen horizontally with entangled filaments touching the Building Paper/WRB with the filter fabric to the outside.
2. The bottom edge of the LP WeatherLogic Water Screen core should be aligned with the top of the weep screed. Weep screed should be installed according to manufacturer's guidelines.
3. Fold the filter fabric flap around the bottom of the core and tuck between the entangled filaments and the Building Paper/WRB. This prevents insects from getting into the vent space.
4. Place the second horizontal row of LP WeatherLogic Water Screen with the fabric flap down above the first row. The fabric flap will overlap the fabric of the first row. Flap may be tacked with a staple or construction adhesive if needed to hold in place.
5. The upper row of LP WeatherLogic Water Screen can be inverted so the fabric flap is up to create an insect screen similar to the bottom. A separate piece of filter fabric or window screen can be used if it is not desirable to flip the upper row.
6. For proper performance of the ventilation system, LP WeatherLogic Water Screen needs to vent at the top and bottom of the wall. The detail at the top of the wall should prevent wind-driven rain from penetrating into the LP WeatherLogic Water Screen layer.
7. LP WeatherLogic Water Screen should be attached with roofing nails, staples, or cap screws. Only use enough attachments to hold in place and prevent blow off, as it is desirable to have minimal penetrations through the WRB. Do not fasten through flashing.
8. Attach woven wire, expanded metal, or coated fiberglass stucco reinforcement over the LP WeatherLogic Water Screen according to manufacturer's guidelines.
9. Apply stucco layers according to manufacturer's guidelines.



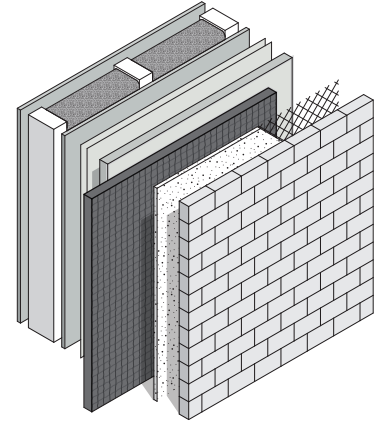
Stucco Wall Installation



# LP WEATHERLOGIC® WATER SCREEN INSTALLATION INSTRUCTIONS

## Manufactured stone or thin brick wall installation

1. Begin by placing LP WeatherLogic® Water Screen at the bottom of the wall with the fabric flap down. Unroll LP WeatherLogic Water Screen horizontally with entangled filaments touching the Building Paper/WRB with the filter fabric to the outside.
2. The bottom edge of the LP WeatherLogic Water Screen core should be aligned with the top of the weep screed. Weep screed should be installed according to manufacturer's guidelines.
3. Fold the filter fabric flap around the bottom of the core and tuck between the entangled filaments and the Building Paper/WRB. This prevents insects from getting into the vent space.
4. Place the second horizontal row of LP WeatherLogic Water Screen with the fabric flap down above the first row. The fabric flap will overlap the fabric of the first row. Flap may be tacked with a staple or construction adhesive if needed to hold in place.
5. The upper row of LP WeatherLogic Water Screen can be inverted so the fabric flap is up to create an insect screen similar to the bottom. A separate piece of filter fabric or window screen can be used if it is not desirable to flip the upper row.
6. For proper performance of the ventilation system, LP WeatherLogic Water Screen needs to vent at the top and bottom of the wall. The detail at the top of the wall should prevent wind-driven rain from penetrating into the LP WeatherLogic Water Screen layer.
7. LP WeatherLogic Water Screen should be attached with roofing nails, staples, or cap screws. Only use enough attachments to hold in place and prevent blow off, as it is desirable to have minimal penetrations through the WRB. Do not fasten through flashing.



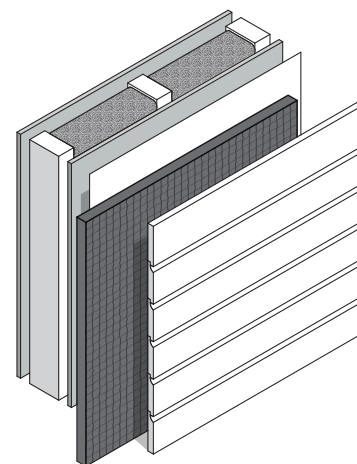
Manufactured Stone or Thin Brick  
Wall Installation



# LP WEATHERLOGIC® WATER SCREEN INSTALLATION INSTRUCTIONS

## Wood, composite wood, fiber cement or wood shake wall installation

1. Begin by placing LP WeatherLogic® Water Screen at the bottom of the wall with the fabric flap down. Unroll LP WeatherLogic Water Screen horizontally with entangled filaments touching the Building Paper/WRB with the filter fabric to the outside.
2. Fold the filter fabric flap around the bottom of the core and tuck between the entangled filaments and the Building Paper/WRB. This prevents insects from getting into the vent space.
3. Place the second horizontal row of LP WeatherLogic Water Screen with the fabric flap down above the first row. The fabric flap will overlap the fabric of the first row. Flap may be tacked with a staple or construction adhesive if needed to hold in place.
4. The upper row of LP WeatherLogic Water Screen can be inverted so the fabric flap is up to create an insect screen similar to the bottom. A separate piece of filter fabric or window screen can be used if it is not desirable to flip the upper row.
5. For proper performance of the ventilation system, LP WeatherLogic Water Screen needs to vent at the top and bottom of the wall. The detail at the top of the wall should prevent wind-driven rain from penetrating into the LP WeatherLogic Water Screen layer.
6. LP WeatherLogic Water Screen should be attached with roofing nails, staples, or cap screws. Only use enough attachments to hold in place and prevent blow off, as it is desirable to have minimal penetrations through the WRB. Do not fasten through flashing.
7. Install wood siding and shakes according to wood industry guidelines. Install composite wood and fiber cement siding according to manufacturer's guidelines. Fastener lengths should accommodate the thickness of the LP WeatherLogic Water Screen. Pneumatic nailers can be used. Adjust depth gauge and pressure to prevent over nailing and compressing the LP WeatherLogic Water Screen.



Wood Siding, Composite Wood Siding,  
Fiber Cement Siding, or Wood Shake  
Wall Installation



For product catalog & complete warranty details, visit [LPCorp.com](http://LPCorp.com)