

LP® SmartSide® Siding Installed with Metal Frame Trim Systems

This Technical Note is an updated addendum to the published LP® SmartSide® Siding Application Instructions and supersedes all previous versions. LP SmartSide, when installed in strict accordance to this Technical Note, will be covered by the terms of the SmartSide limited warranty. The instructions specified in this Technical Note are intended for LP SmartSide products ONLY and does not include the installation requirements for metal frame trim systems (“trim systems”). Trim systems must be installed according to the manufacturer’s requirements.

LP SmartSide siding may be installed with metal frame trim systems according to the following requirements.

- Siding and metal frame trim system must be installed direct to wall sheathing:
 - Sheathing must be a minimum 7/16 Category wood structural panel (WSP) with an APA Trademark that contains consensus Standard DOC PS1 or PS 2.
- DO NOT bridge floors with siding.
 - Create a horizontal joint between floors. ([Diagram 5](#))
 - Horizontal joint must be flashed with sloped metal frame trim. ([Diagrams 1, 2](#))
- Must use a Non-Compressible Drainable Housewrap (NCDH) as the water-resistant barrier (WRB) as defined in Technical Bulletin #031 and below:
 - Drainable: will remove more bulk water by creating a minimum 1 mm drainage gap (air gap) at any individual measurement point between the housewrap and the back of the siding. (The 1 mm drainage gap is a prescriptive requirement, not a performance requirement.)
 - Non-Compressible: will not allow the minimum 1 mm drainage gap to be reduced by the force of fastening during the installation of siding.
- Siding panels with square edges are recommended (Cedar Texture PID# 41044 or Smooth Finish PID# 43088) because they are factory primed on all ends and edges.
 - Panel Siding with shiplap edges must have the shiplap edges removed (ripped) to provide a square edge for panel’s full thickness to align with metal frame trim system seam.
 - Shiplap edges may only be used where there are vertical panel-to-panel seams that do not utilize the metal frame trim system.
- Finishing/Painting cut, ripped or exposed edges:
 - Factory Primed Panels: Re-prime and paint, or paint before installation following the paint manufacturer’s instructions.
 - Prefinished Panels: Touch-up before installation following the Prefinishers touch-up instructions.

- Minimum Fastener Type:
 - Corrosion Resistant, hot-dipped galvanized (ASTM A153) or equivalent.
 - Shank diameter = 0.092 inch
 - Length = fastener shall be long enough to fully penetrate through WSP sheathing and extend by at least 1/4 inch (6 mm). (Diagrams 1 & 2)
- Maximum Fastener Spacing: (Diagram 4)
 - Perimeter nails should be placed a minimum of 3/8 inch (10 mm) and a maximum of 3/4 inch (19 mm) from the panel edges. (Diagrams 3a, 3b, 3c or 3d)
 - For applications in areas with allowable wind loads of up to 90 MPH V_{asd} or 120 MPH V_{ult} nails must be fastened in a grid pattern not to exceed 16 inches (406 mm) on center [Allowable wind load based on Exposure B].
 - For applications in areas with allowable wind loads of up to 170 MPH V_{asd} or 200 MPH V_{ult} nails must be fastened in a grid pattern not to exceed 8 inches (203 mm) on center [Allowable wind load based on Exposure B].
 - Exposure C and D will require different nailing patterns, refer to APA Product Report PR-N124, Table 5A and Table 5B for options.
- Required Panel Spacing:
 - Must be spaced with a minimum clearance of 1/8 inch (3 mm) from the inside edge of trim channel on the two vertical sides and the horizontal top of the panel. (Diagrams 3a, 3b, 3c and 3d)
 - The bottom of the panel must be spaced with a minimum clearance of 3/8 (10 mm) inch above the horizontal metal frame trim flashing. (Diagrams 1, 2)
 - Smooth finish or cedar texture panel siding may be installed in either the horizontal or vertical orientation.
 - For consistent siding finish appearance, it is IMPORTANT to maintain the same panel orientation throughout the installation. Either install all panels vertically or install all panels horizontally.
- All other requirements of the published trim system manufacturer's installation instructions and LP SmartSide Panel Siding Application Instructions must be followed.
 - If the metal frame trim system is field fabricated, all steps must be taken to assure that space is provided between the trim channel and the siding panel to allow for the expansion of engineered wood siding thickness.
- LP assumes no liability for any loss or damage sustained by the metal frame trim system connection to the structure and is expressly released by the purchaser or owner from any such loss or liability.
- The Diagrams included in this document are intended to illustrate the allowable attachment methods. Metal frame trim system profiles are meant to be limited to these types of profiles; minimum requirements are:
 - Horizontal trim must have an integrated Z-flashing to promote proper drainage and cannot conceal the bottom edge of the panel or impede proper drainage. (Diagrams 1 & 2)

- **Vertical trim must fully conceal panel edges.** Can be either one or two- piece trim. (Diagrams 3a, 3b, 3c or 3d)

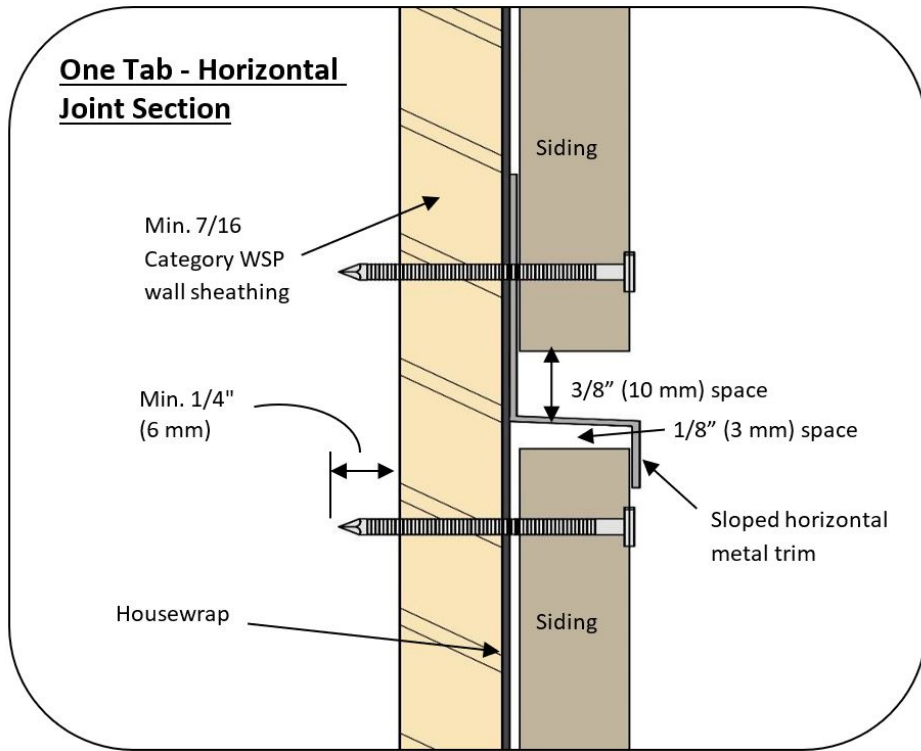


Diagram 1

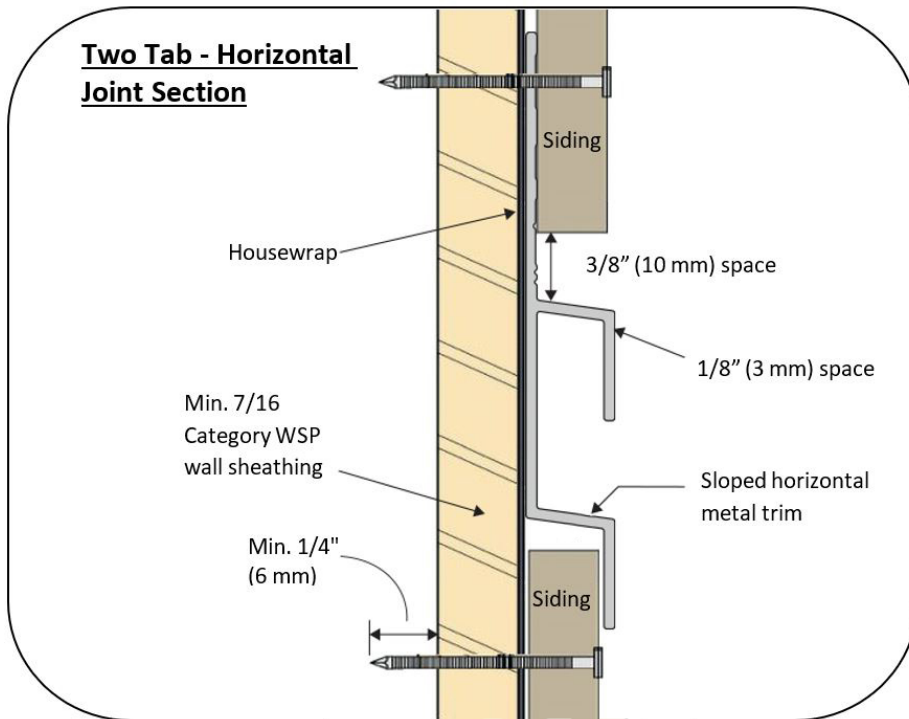


Diagram 2

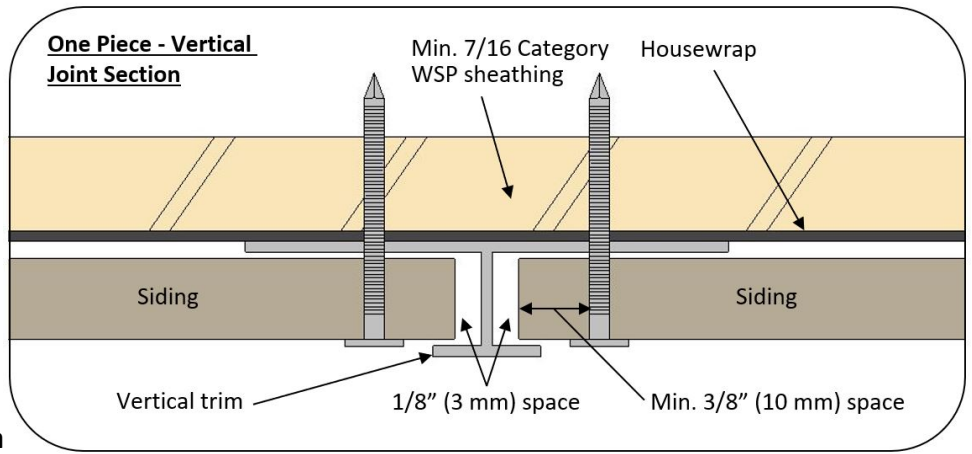


Diagram 3a

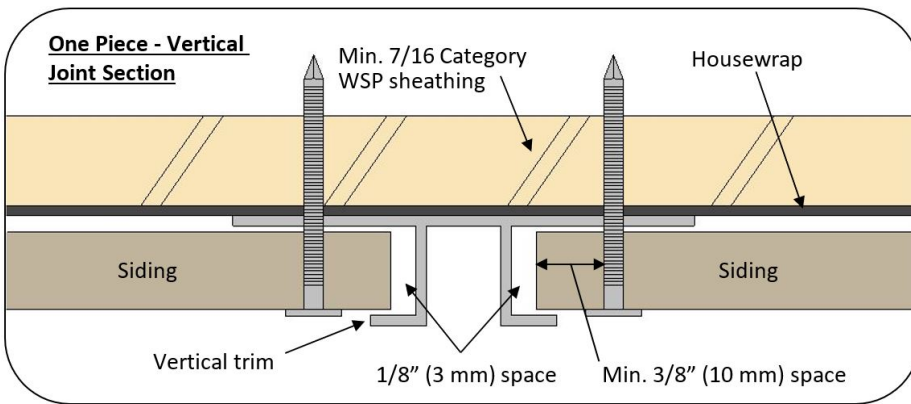


Diagram 3b

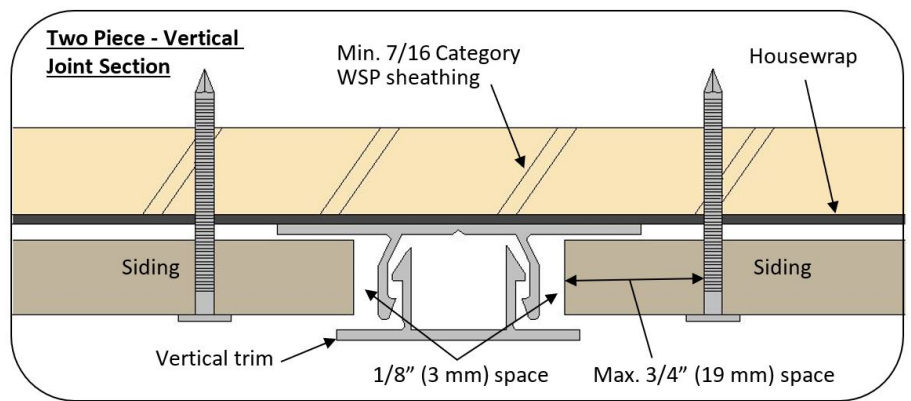


Diagram 3c

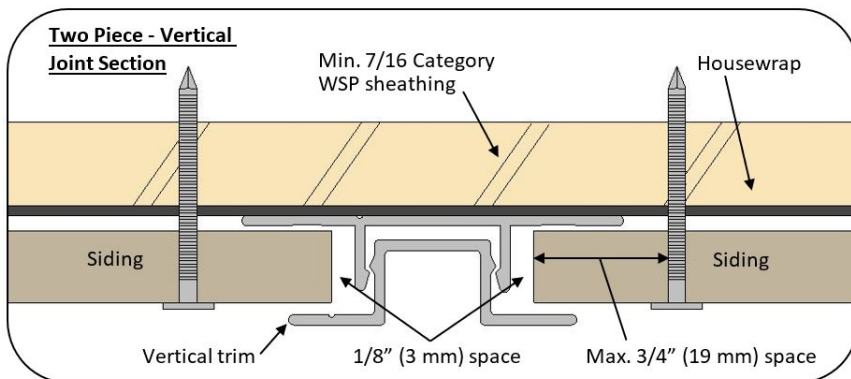


Diagram 3d

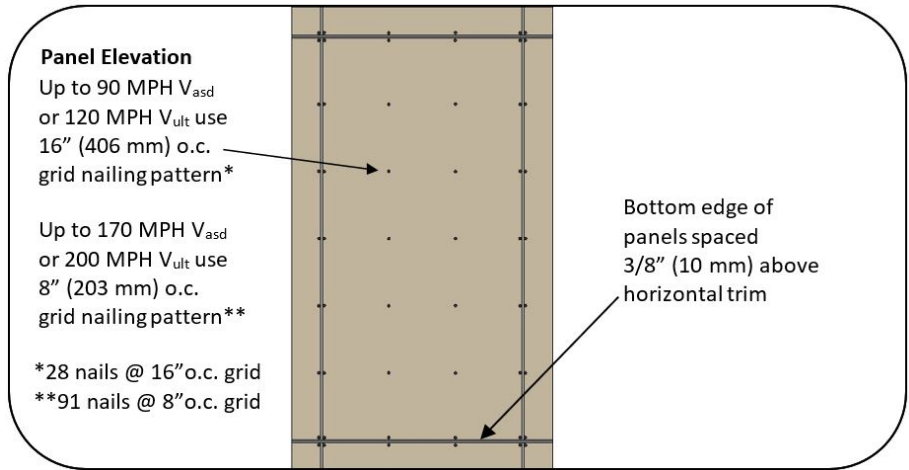


Diagram 4

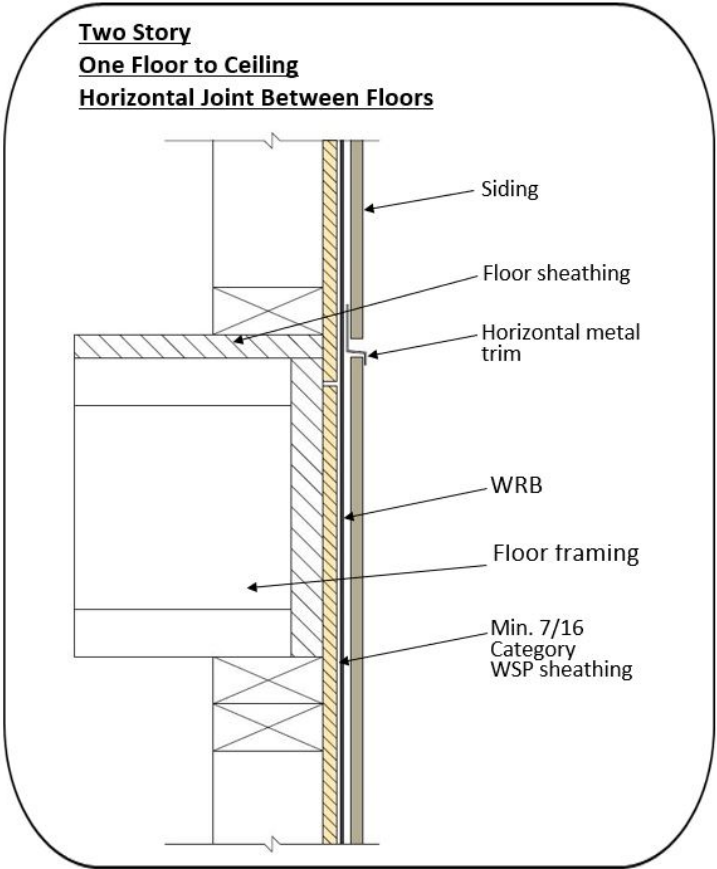


Diagram 5

©2021 Louisiana-Pacific Corporation. All rights reserved. APA and APA Rated are registered trademarks of APA - The Engineered Wood Association. LP and SmartSide are registered trademarks of Louisiana-Pacific Corporation. The details, specifications and conditions described in this document are subject to change without notice.