

LP® SmartSide® Strand Substrate Lap Siding Installed Vertically for Board & Batten or Board-on-Board Applications

This Technical Note is an addendum to the LP® SmartSide® Strand Substrate Lap Siding Application Instructions and LP® SmartSide® Trim and Fascia Application Instructions.

LP SmartSide Strand Substrate Lap Siding may be installed Vertically in Board & Batten or Board-on-Board applications, according to the following requirements.

- Siding must be installed over a minimum 7/16 Category wood structural panel with an APA Trademark that contains the consensus Standard DOC PS 1 or PS 2.
 - Exception: LP® FlameBlock® Fire-Rated OSB Sheathing
- Lap Siding installed Vertically or Batten may only span one plate-to-plate. Due to expected plate shrinkage, each vertical application is not to span beyond one floor to ceiling distance, or one floor to top of gable distance. *(See Figure 5a & 5b)*
- Battens may be a minimum 0.5 x 1.5 inches (13 x 38 mm) [actual size].
 - Caution: When selecting a batten less than 2.5 inches (64 mm) [actual size] wide it may be difficult for batten to conceal nail heads on vertical siding.
 - Visible nail heads that are not covered by battens are an aesthetic issue and not covered by the LP SmartSide Limited Warranty.
- **Must be installed over non-compressible drainable housewrap to provide drainage behind siding.**
- Finish/Paint:
 - Prime and paint all field cuts and exposed ends following the paint manufacturer's instructions
- The edges of Lap Siding installed Vertically must be spaced a minimum of 3/16 inch (5 mm) from each other. *(See Figure 4a, 4b & 4c)*
- Sealant is not required in any vertical joint covered by Lap Siding or Batten and backed by a WRB.
- Minimum Fastener Type for **Lap Siding installed Vertically**:
 - Corrosion Resistant = hot-dip galvanized (ASTM A153) or equivalent
 - Ring Shank
 - Shank diameter = 0.092 inch
 - Length = fastener shall be long enough to fully penetrate wood structural panel sheathing by at least 1/4 inch (6 mm). Ensure that the ring shanks of the nail fully engage the sheathing.
 - Caution: Choose a fastener length that will not damage wiring or other utilities in the exterior wall assembly.

- Fastener Placement for **Lap Siding installed Vertically**:
 - 3/8 inch (10 mm) from ends and edges *(See Figure 3c)*
- Fastener Spacing for **Lap Siding installed Vertically**:
 - Fastened with two nails at both ends, with additional fasteners spaced a maximum of 6 inches (152 mm) o.c. along alternating edges *(See Figure 3c)*
- Minimum Fastener Type for **Batten**:
 - Corrosion Resistant = hot-dip galvanized (ASTM A153) or equivalent
 - Style
 - Ring Shank nails provide superior resistance to fastener pull-through. In Hurricane-Prone Regions or locations where negative wind loads are a concern, ring shank nails should be used.
 - Trim nails may be used in other locations with the following cautions: Do not overdrive or counter sink the fastener, nail flush with the surface of batten. Detachment of batten is not covered by the LP SmartSide limited warranty whether ring shank or trim nails are used.
 - Shank diameter = 0.092 inch
 - Length = fastener shall be long enough to fully penetrate siding by at least 1/4 inch (6 mm)
 - Caution: The length of fastener should be chosen to reduce possible damage to wiring or other utilities in the exterior wall assembly
- Fastener Placement for **Battens**:
 - Maximum 3/8 inch (10 mm) from ends and edges *(See Figure 3a & 3b)*
- Fastener Spacing for **Battens**:
 - Fastened with two nails at both ends, with additional fasteners spaced a max. of 12 inches (309 mm) o.c. along alternating edges the length of the batten *(See Figure 3a)*
 - Exception: For battens less than 2.5 inches (64 mm) wide, 1 nail is required at each end, with additional fasteners spaced a maximum of 24 inches (305 mm) o.c. along alternating edges *(See Figure 3b)*
- **DO NOT bridge floors with Lap Siding installed Vertically or Battens.** *(See Figure 5a & 5b)*
 - Create a horizontal joint between floors.
 - Horizontal joint must be flashed with sloped metal Z-flashing.
- Lap Siding installed Vertically must be applied in a manner that will not allow moisture intrusion or water buildup.
- All other requirements of the LP® SmartSide® Lap Siding Application Instructions and LP® SmartSide® Trim and Fascia Application Instructions must be followed.
- When using SmartSide siding with other siding products like stucco, brick or cultured stone veneers, it is important to use a capillary break so moisture absorbed into those veneers cannot be transferred into siding. Separate SmartSide siding from veneers with a minimum 3/8" (10 mm) space for horizontal or vertical joints, use sealant. Backer rod may be required by the sealant manufacturer. *(See Figure 6).*

**Preferred Batten
2.5" (64 mm) wide
or greater**

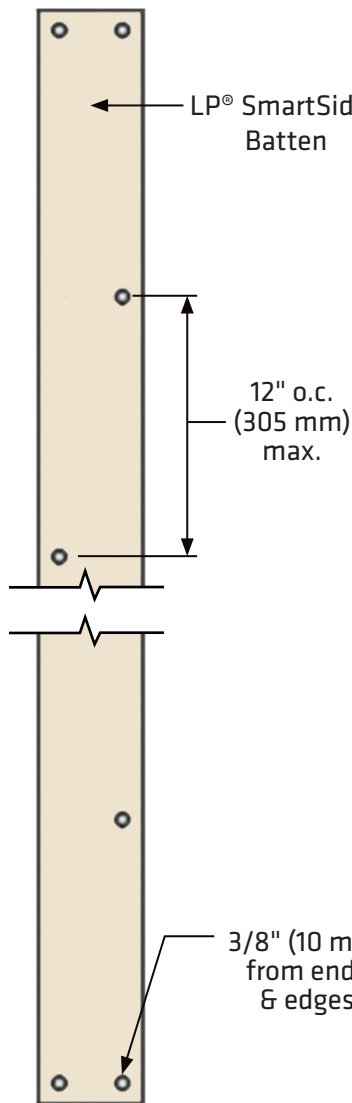


Figure 3a

**Alternate Batten less than
2.5" (64 mm) wide**

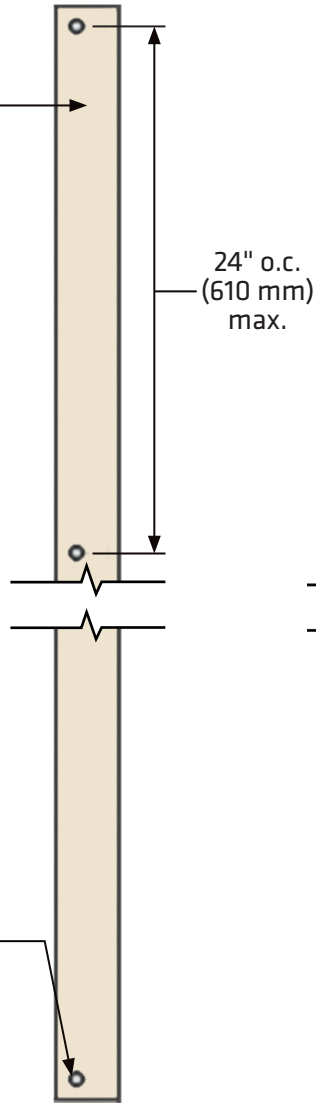


Figure 3b

Lap Siding

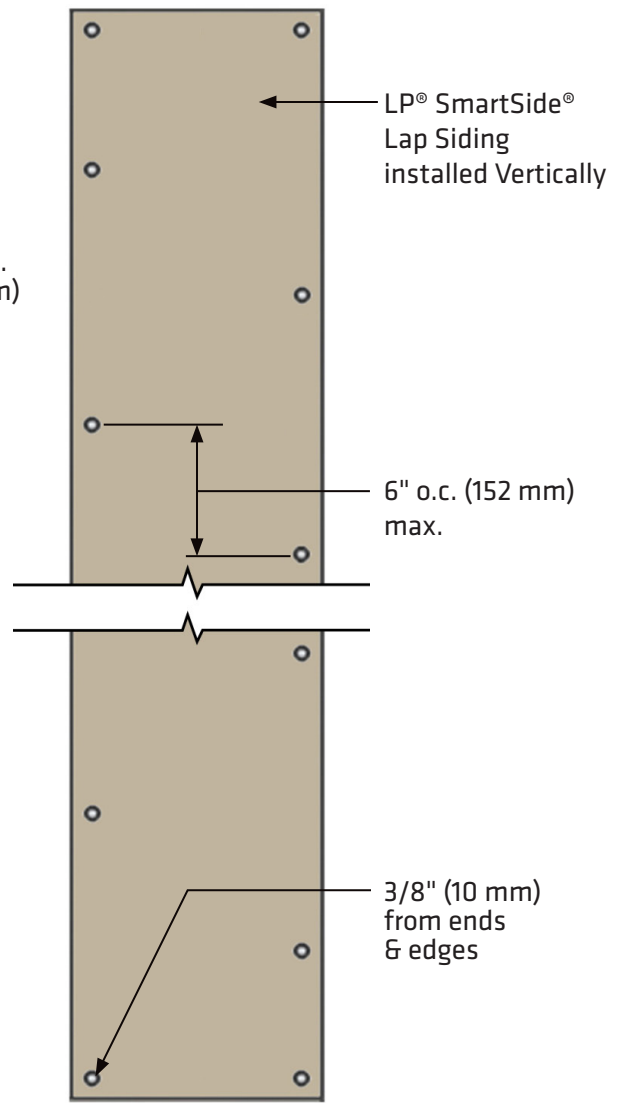


Figure 3c

Date Created: 03/15/2017
Last Revision: 05/02/2020

ADDRESS 414 Union Street
Suite 2000 Nashville, TN
TEL (615) 986-5600
FAX (615) 986-5666
WEB www.lpcorp.com

BUILD WITH US™

Preferred Batten Attachment 2.5" (64 mm) wide or greater

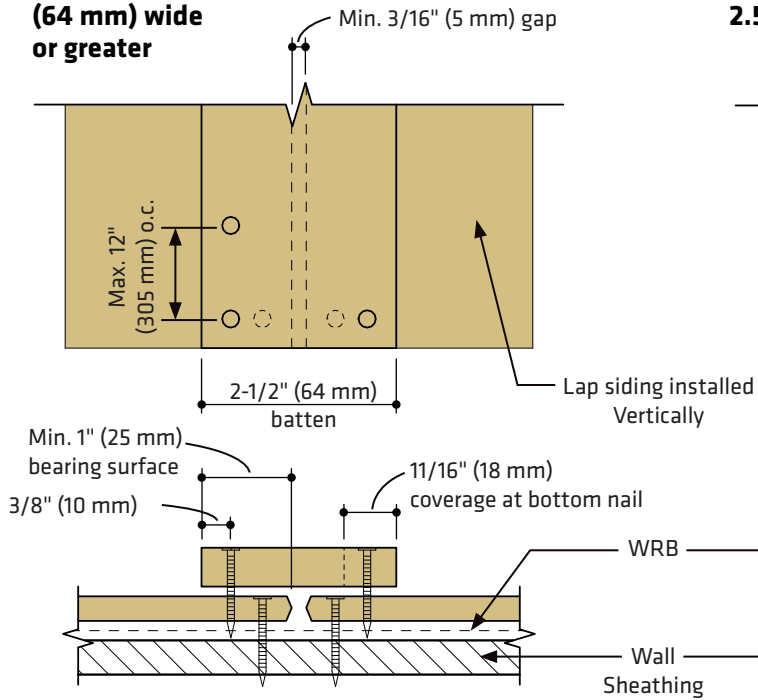


Figure 4a

Alternate Batten Attachment less than 2.5" (64 mm) wide

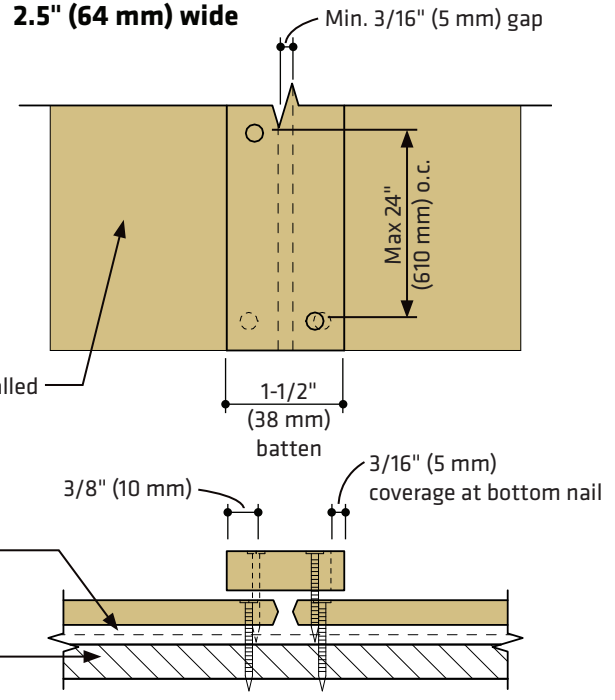


Figure 4b

Lap over Lap Attachment

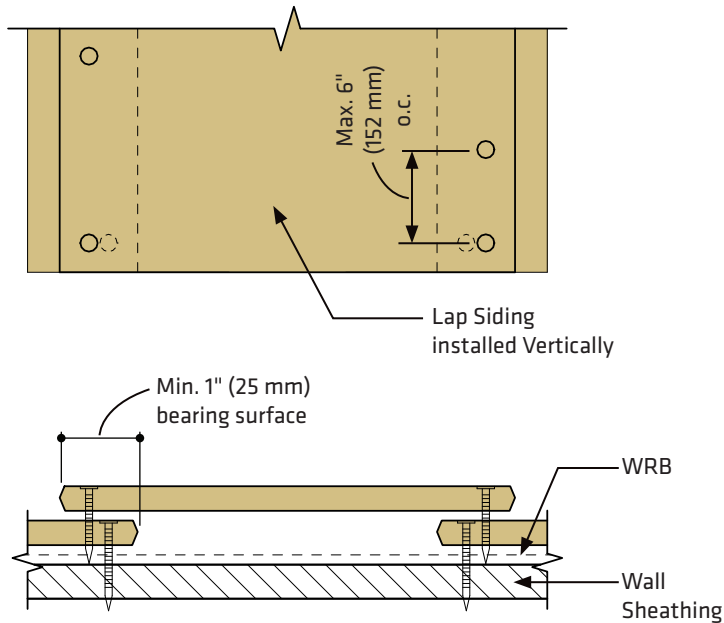


Figure 4c

ADDRESS 414 Union Street
Suite 2000 Nashville, TN
TEL (615) 986-5600
FAX (615) 986-5666
WEB www.lpcorp.com

BUILD WITH US™

Date Created: 03/15/2017
Last Revision: 05/02/2020

**Two Story
One Floor to Ceiling
Horizontal Joint Between Floors**

**One Story
One Plate-to-Plate**

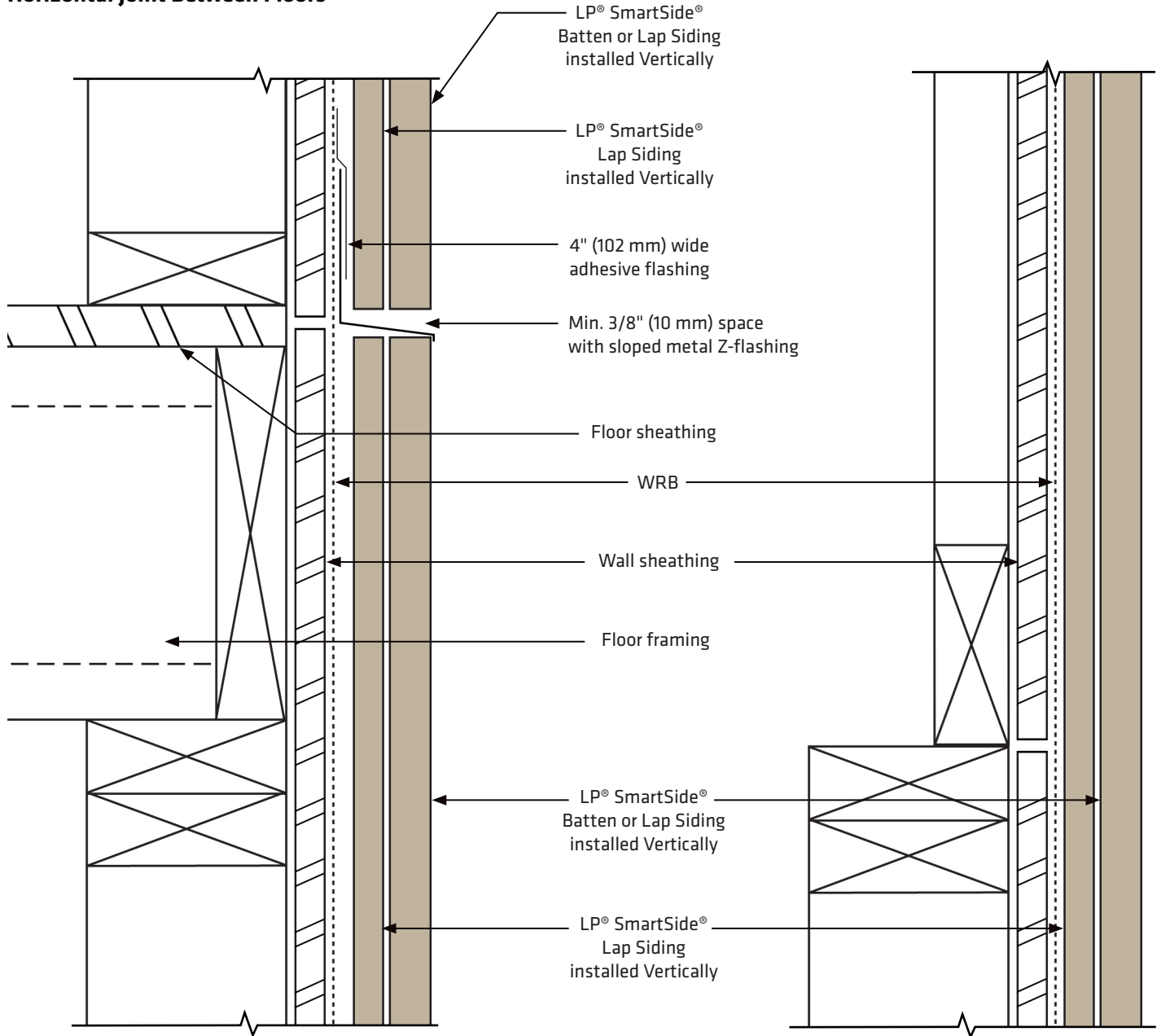


Figure 5a

Figure 5b

Date Created: 03/15/2017
Last Revision: 05/02/2020

ADDRESS 414 Union Street
Suite 2000 Nashville, TN
TEL (615) 986-5600
FAX (615) 986-5666
WEB www.lpcorp.com

BUILD WITH US™

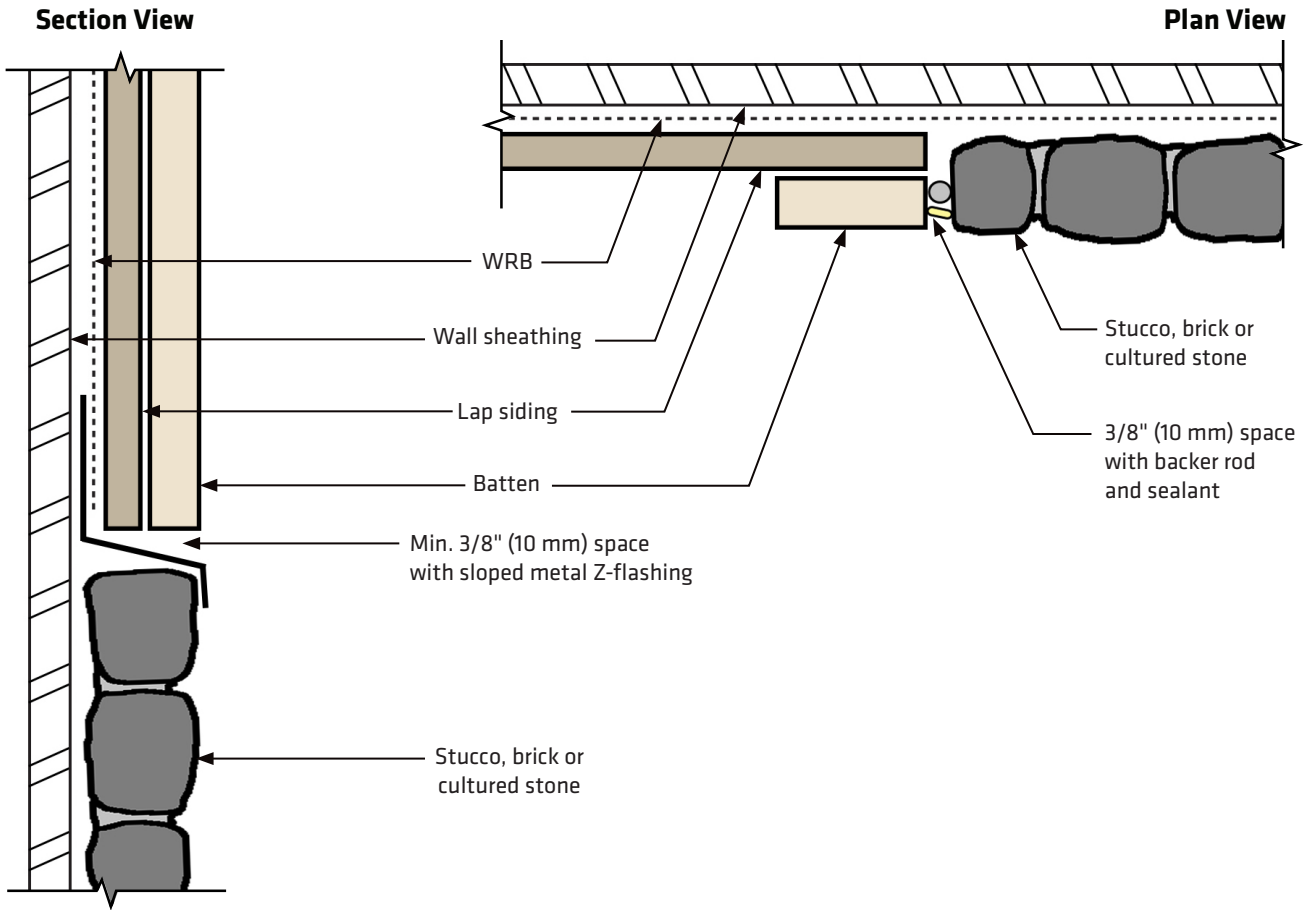


Figure 6

Date Created: 03/15/2017
 Last Revision: 05/02/2020

ADDRESS 414 Union Street
 Suite 2000 Nashville, TN
TEL (615) 986-5600
FAX (615) 986-5666
WEB www.lpcorp.com

BUILD WITH US™