

Technical Note No. 064

Installing LP® SmartSide® Nickel Gap Siding as Porch Ceiling or as Soffit



This Technical Note is an addendum to the LP® SmartSide® Nickel Gap Siding Application Instructions (“Instructions”). It is intended to provide an alternative application option for Nickel Gap siding as porch ceilings or as soffit. The Instructions remain effective except as may be modified by this Note. Refer to the Application Instructions for all other aspects of product installation.

General Information:

- LP® SmartSide® Nickel Gap Siding is **not** intended for open soffit or Rated Sheathing/ Ceiling Deck (RSCD) applications.
- Flashing is not required at butt joints when siding is installed at porch ceiling or soffit.
 - Special care must be taken to ensure paint in butt joint covers ends, edges, and any visible roof framing. This may require back brushing gap to ensure coverage.
- Roof framing shall be of sufficient size and quality to securely attach the siding.
 - Additional backing material may be required at ends and edges.
- Gap siding a min. of 3/16 inch (5 mm) at butt joints.
- Butt joints must occur over min. 2x members.
- Spacing tools may be used to obtain 3/16 inch (5 mm) gap at butt joints.
 - SIMPLESIDER® siding gauge, or rafter square.
- The following tools may be used to work the siding into place to achieve a min. 1/16 inch to a max. 1/8 inch gap parallel to 16 foot length of the siding:
 - A pull bar typically used to install wood flooring, or
 - Create blocking tool by cutting a section of Nickel Gap siding to assist with firmly tapping siding into place, or
 - 2x wood stud, approx. 16 inches (406 mm) long to assist with firmly tapping siding into place.
- Siding installer is responsible for meeting local building code requirements.

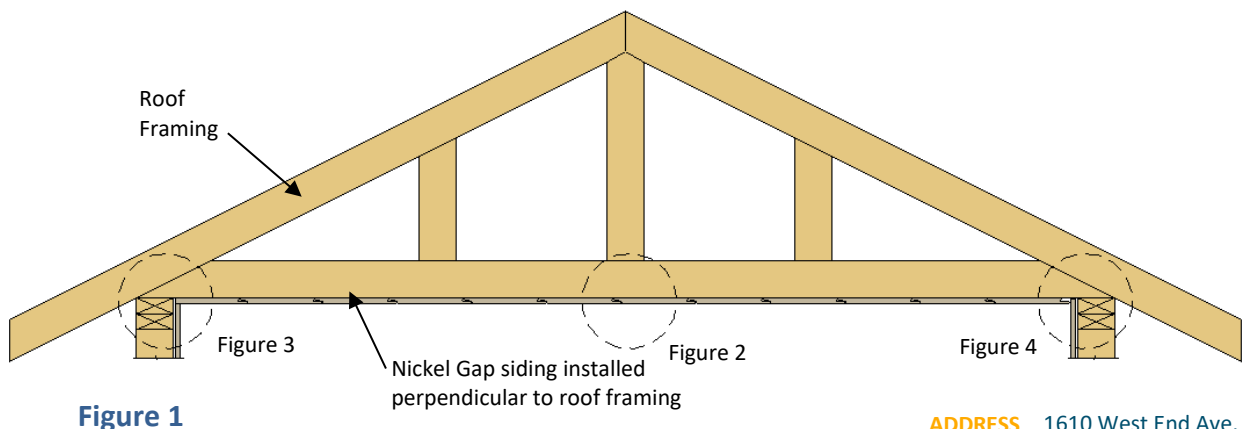


Figure 1

Fastening Instructions:

- Install siding blind-nailed, place nail in fastener groove. (Figure 2)
- Use a min. 0.092 inch shank diameter, hot-dip galvanized nail (ASTM A153, Class D) or equivalent.
 - A larger 0.113 inch shank diameter nail may be required depending on limitations in [PR-N124](#).
- Fasten siding perpendicular to framing members spaced a max. 24 inches (610 mm) o.c., with a min. of 1 inch (25 mm) of embedment in roof framing member.
- Nail head must be snug with flange, so it does not interfere with siding placement or flashing.

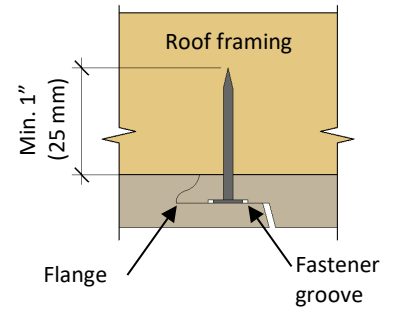
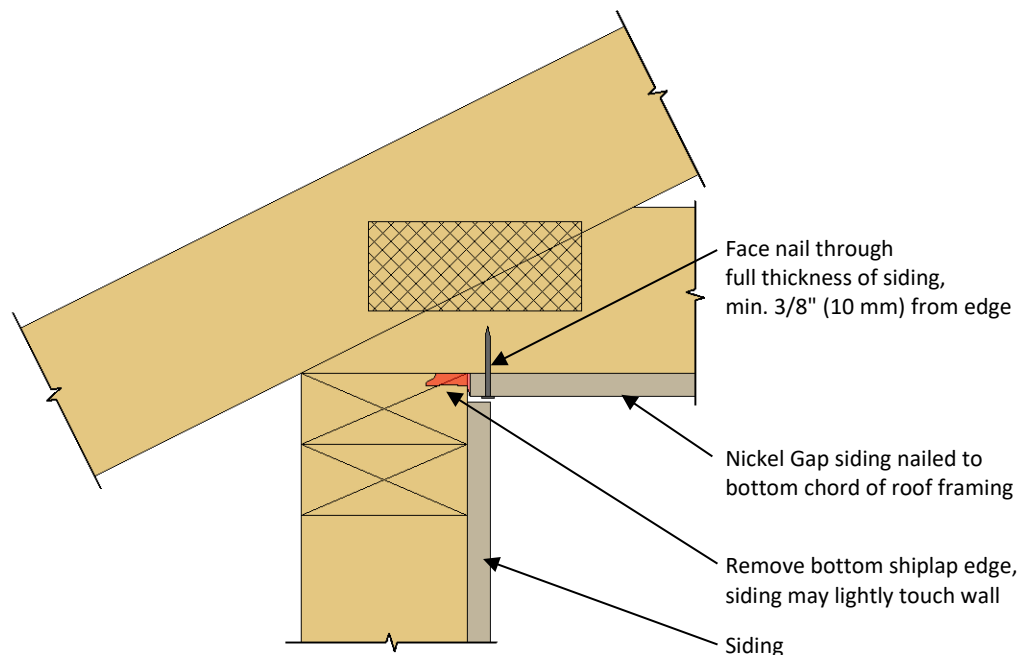


Figure 2

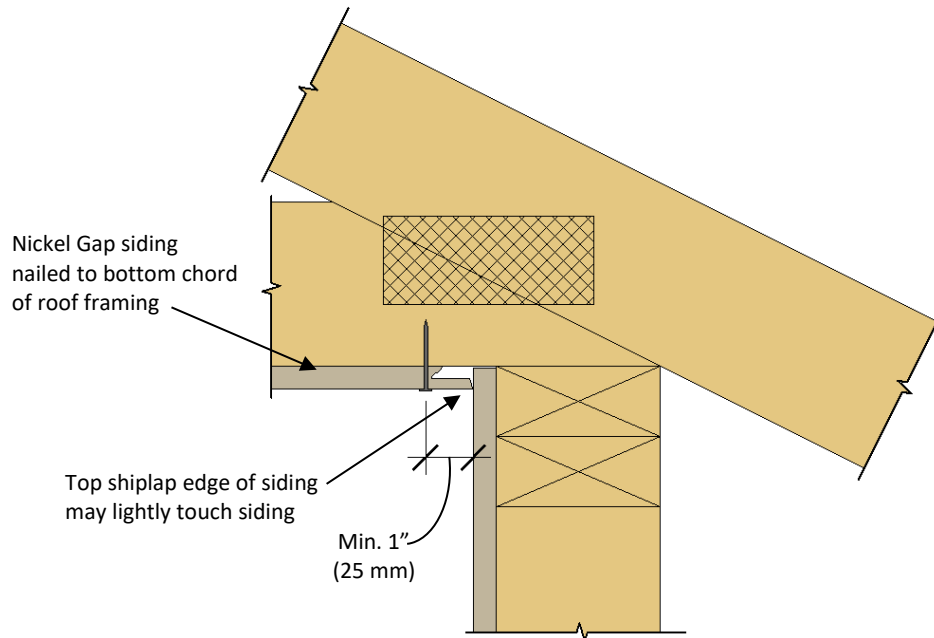
Porch Ceiling Installation:

- Ends and edges adjacent to walls may lightly touch. (Figure 3 or 4)
 - Caulk is not required at these locations.
- Rip bottom shiplap edge (with fastener groove) when siding is adjacent to wall. (Figure 3)
 - Ripped edge may lightly touch wall, or
 - Provide a min. 3/16 inch (5 mm) gap and caulk, backer rod may be necessary.
- Top shiplap edge may be installed adjacent to siding. (Figure 4)
 - Shiplap edge may lightly touch siding, or
 - Provide a min. 3/16 inch (5 mm) gap and caulk, backer rod may be necessary.
- Nail through full thickness of siding, min. 1 inch (25 mm) from edge of siding.



Bottom Shiplap Edge Detail

Figure 3

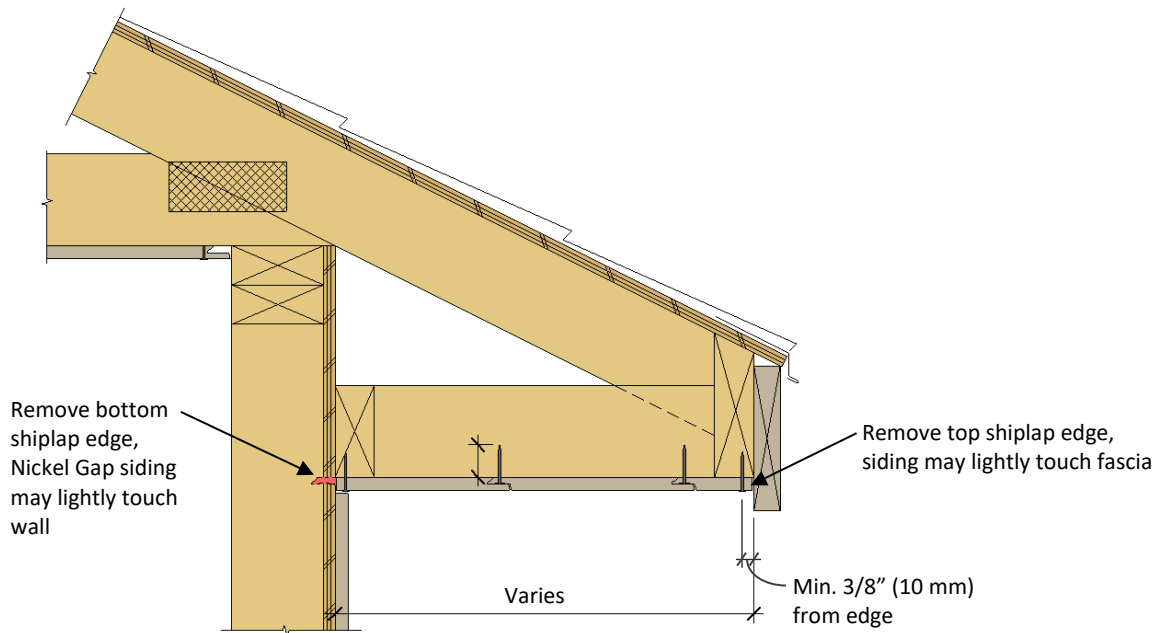


Top Shiplap Edge Detail

Figure 4

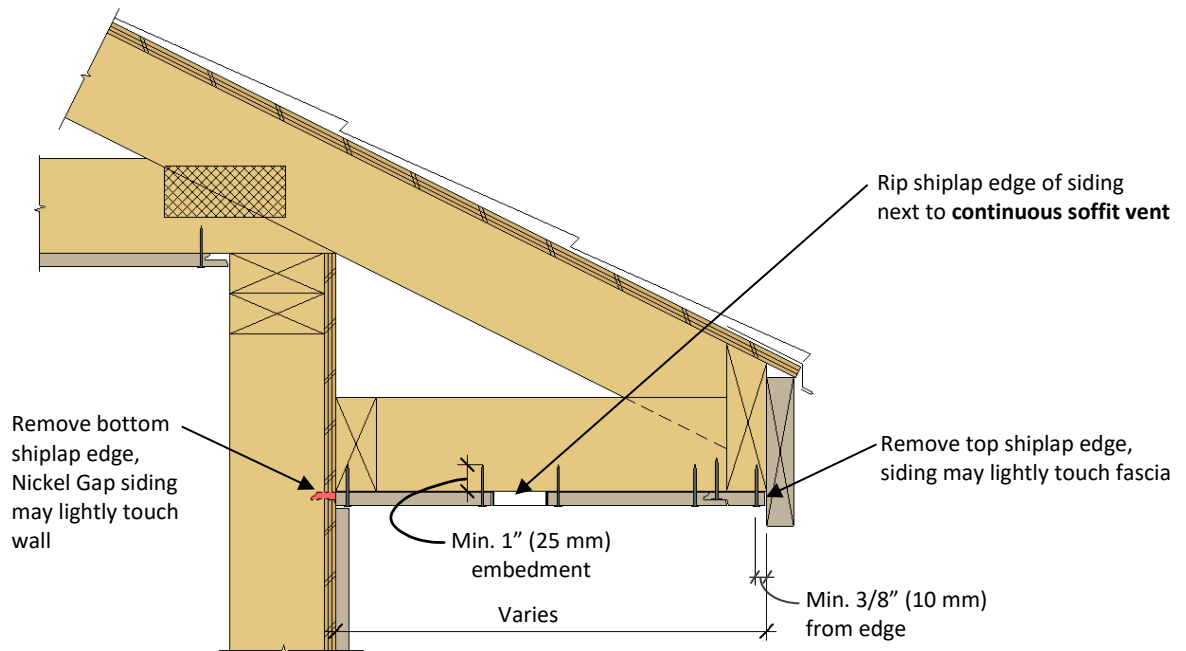
Soffit Installation:

- Siding may be installed as soffit. (Figures 5,6)
 - Remove shiplap edge of siding pieces adjacent to wall or siding.
- Siding may be installed in conjunction with a continuous soffit vent. (Figure 6)
 - Remove shiplap edge of siding pieces adjacent to vent.
- Paint ripped edges:
 - Edges may lightly touch at these locations, or
 - Provide a min. 3/16 inch (5 mm) gap and caulk, backer rod may be necessary.



Non-Vented Soffit

Figure 5



Continuous Vented Soffit

Figure 6

- For additional siding attachment instructions refer to [LP® SmartSide® Nickel Gap siding application instructions](#).