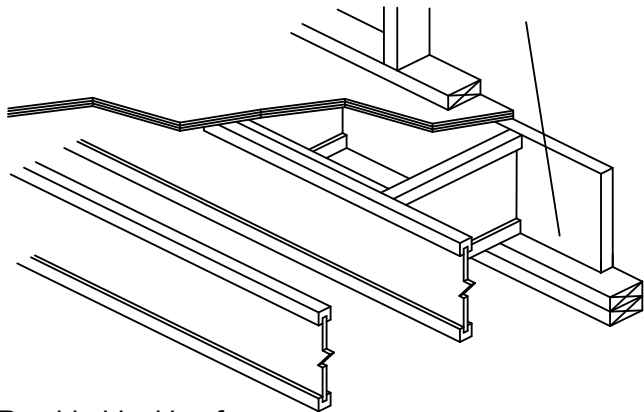


A71

SOLID RIM AS STARTER JOIST with Ladder Blocking

Fasten rim board to each floor
I-Joist using one 8d nail or
10d box nail per flange



Provide blocking for
lateral support as required. Use LP I-Joist,
LP LVL, LP LSL, or LP Rim Board as blocking