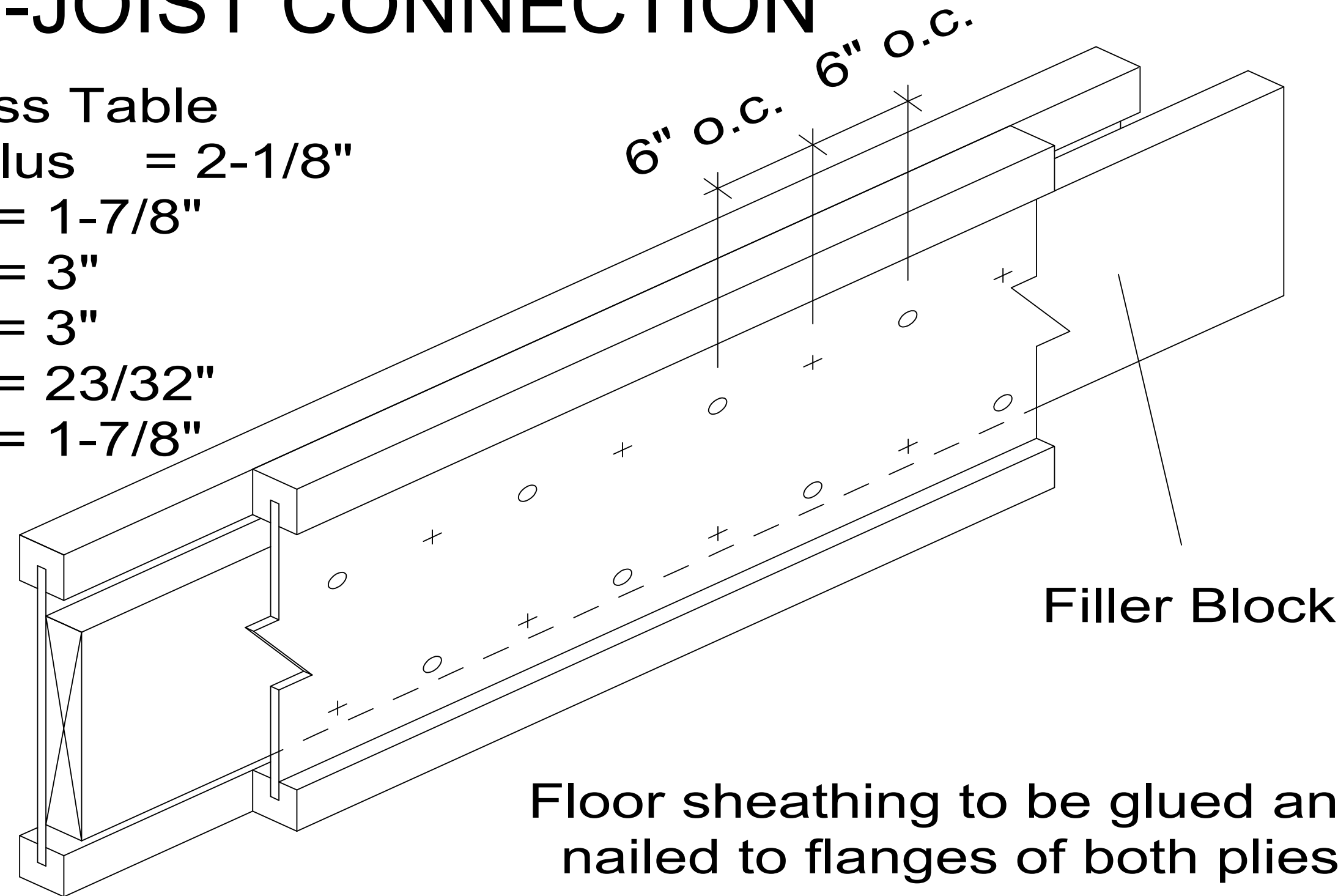


E5 DOUBLE I-JOIST CONNECTION

Filler Block Thickness Table

| | |
|------------------------|----------|
| LPI 18, 20Plus, 32Plus | = 2-1/8" |
| LPI 36 | = 1-7/8" |
| LPI 42Plus, 52Plus | = 3" |
| LPI 56 | = 3" |
| LPI 450 | = 23/32" |
| LPI 530 | = 1-7/8" |



Filler Blocks:

Install in minimum 4' long sections at each support, centered behind each supported hanger and at no more than 8' oc. Lumber fillers may be stacked to achieve the required depth (see notes 2 and 3). For example, two 4' long 2 x 8's may be stacked vertically to achieve the filler depth for an 18" deep I-joist (min. required depth is $18" - 3" - 1" = 14"$). Attach filler blocks with 8d nails (10d for flanges wider than 2-1/2") nails spaced 6" oc per row. Use one row of nails in each row of stacked fillers, with a minimum of two rows of nails. Drive every other nail from opposite sides.

Notes:

1. Filler blocks shall consist of APA Rated wood structural panel (OSB or plywood), 2 x lumber (SPF or better), or LP® SolidStart® LVL, LSL or OSB Rim Board, with a net thickness equivalent to that shown in the I-Joist Filler Block Thickness table.
2. Except as noted in 3, filler blocks shall fit the clear distance between flanges with a gap of at least 1/8", but not more than 1", and shall be of sufficient depth to allow for all hanger nailing into the web. Do not force into place.
3. Filler blocks for double I-joists that are top-loaded only or side-loaded supporting top-mount hangers that do not require nailing into the web, shall be at least 5-1/2" deep for I-joists to 11-7/8" deep, and shall be at least 7-1/4" deep for I-joists 14" and deeper.
4. Install filler blocks tight to top flange for top-loaded joists and for joists supporting top-mount hangers (shown). Install tight to bottom flange for joists supporting face-mount hangers.
5. Clinch nails where possible.
6. For double I-joists, additional nailing may be required to transfer point loads. For additional information, contact your LP SolidStart Engineered Wood Products distributor.